

DATA SHEET

VARIAIR SV 130/1

SIDE CHANNEL VACUUM PUMPS

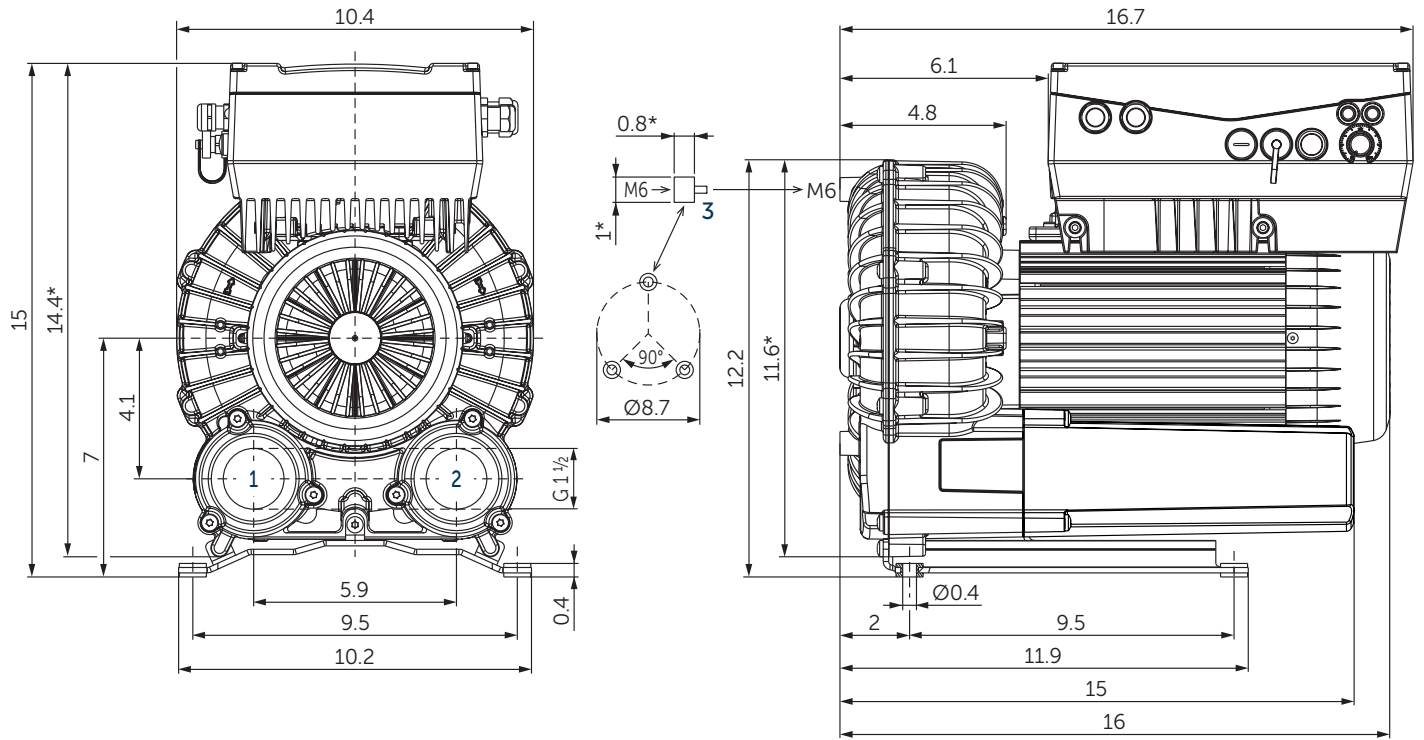
single stage, air-cooled
frequency inverter

MAKE IT BECKER.



VARIAIR
UNIT

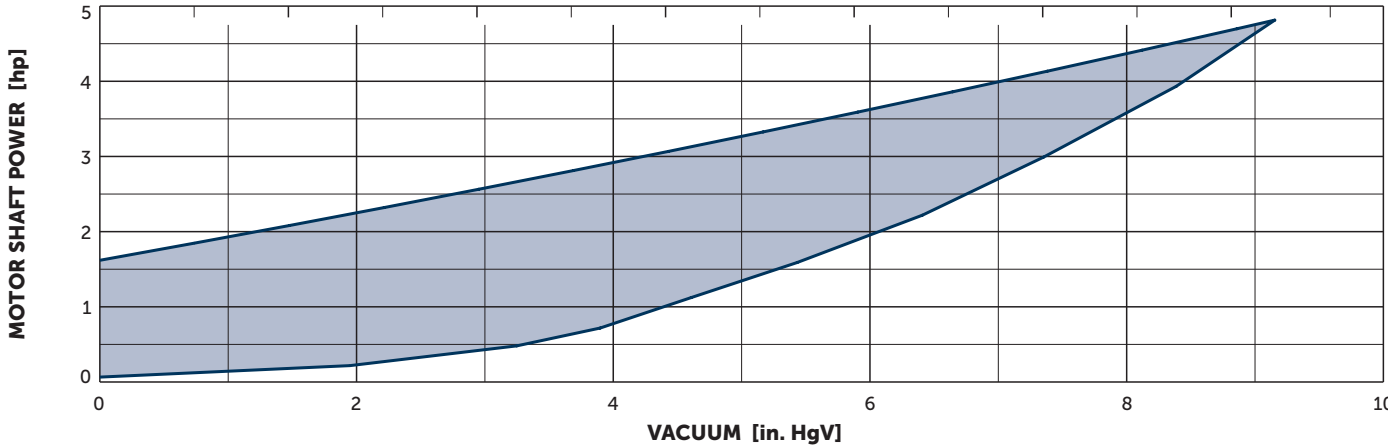
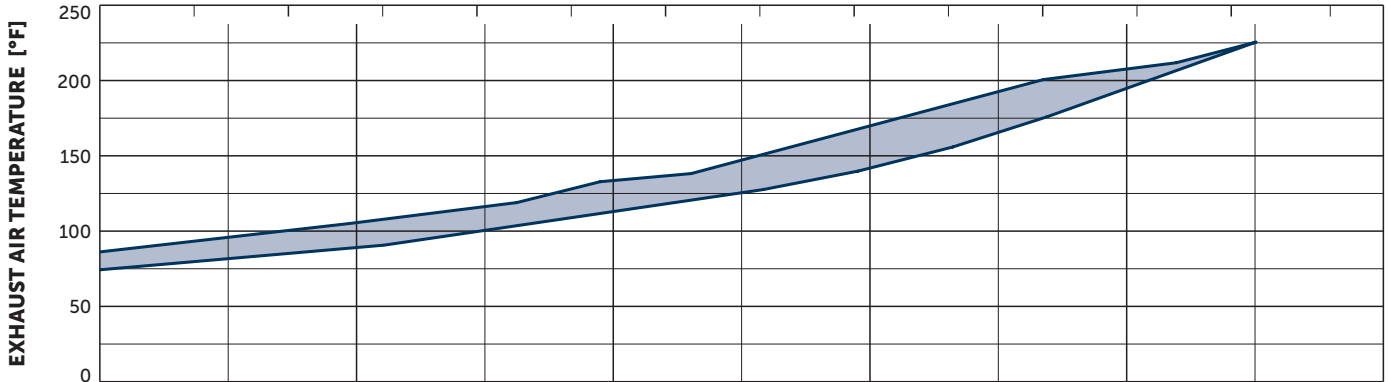
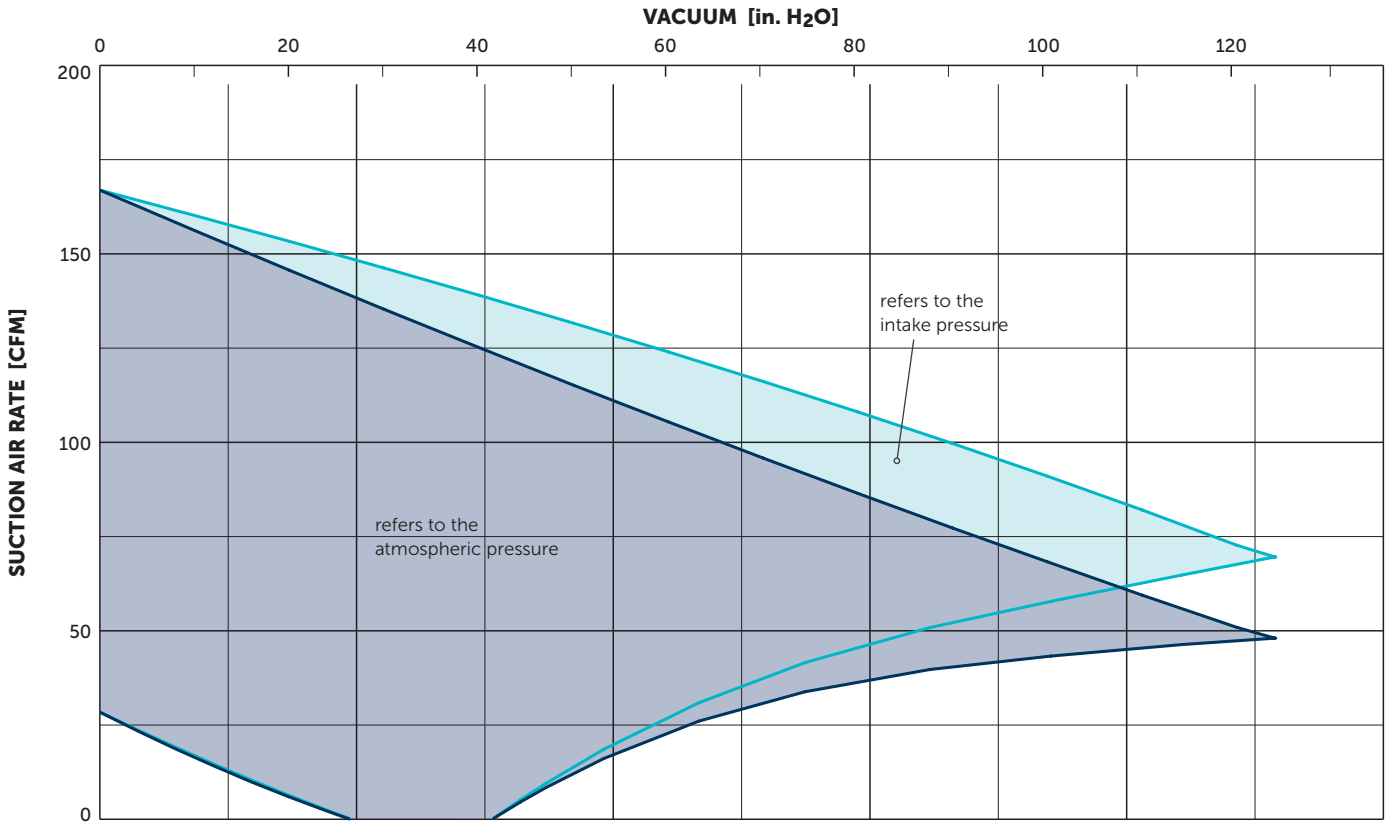
 **BECKER**



- 1 Vacuum connection (G $\frac{1}{2}$)
- 2 Pressure connection (G $\frac{1}{2}$)
- 3 Rubber buffer position (optional)
- * Device dimensions without pedestal (optional) under the silencer
- Dimensions in inch

Suction air rate	Vacuum		Frequency	Emission sound pressure level ¹⁾	Weight		
	CFM max.	in. H ₂ O max.					
168	122.6	9.1	20–100	70	66.2	5.4 hp 400–480 V \pm 10% 50/60 Hz	16

¹⁾ According to DIN EN ISO 11203, accuracy class of measurement: class 2, extended measurement uncertainty: 3 dB
39.4 inch distance, at medium load, both connection sides piped



Reference data (atmosphere): 0 in. HgV, 68°F; Tolerance: ±10%; Max. ambient temperature: 14°F ... 104°F



MAKE IT BECKER.