

DATA SHEET

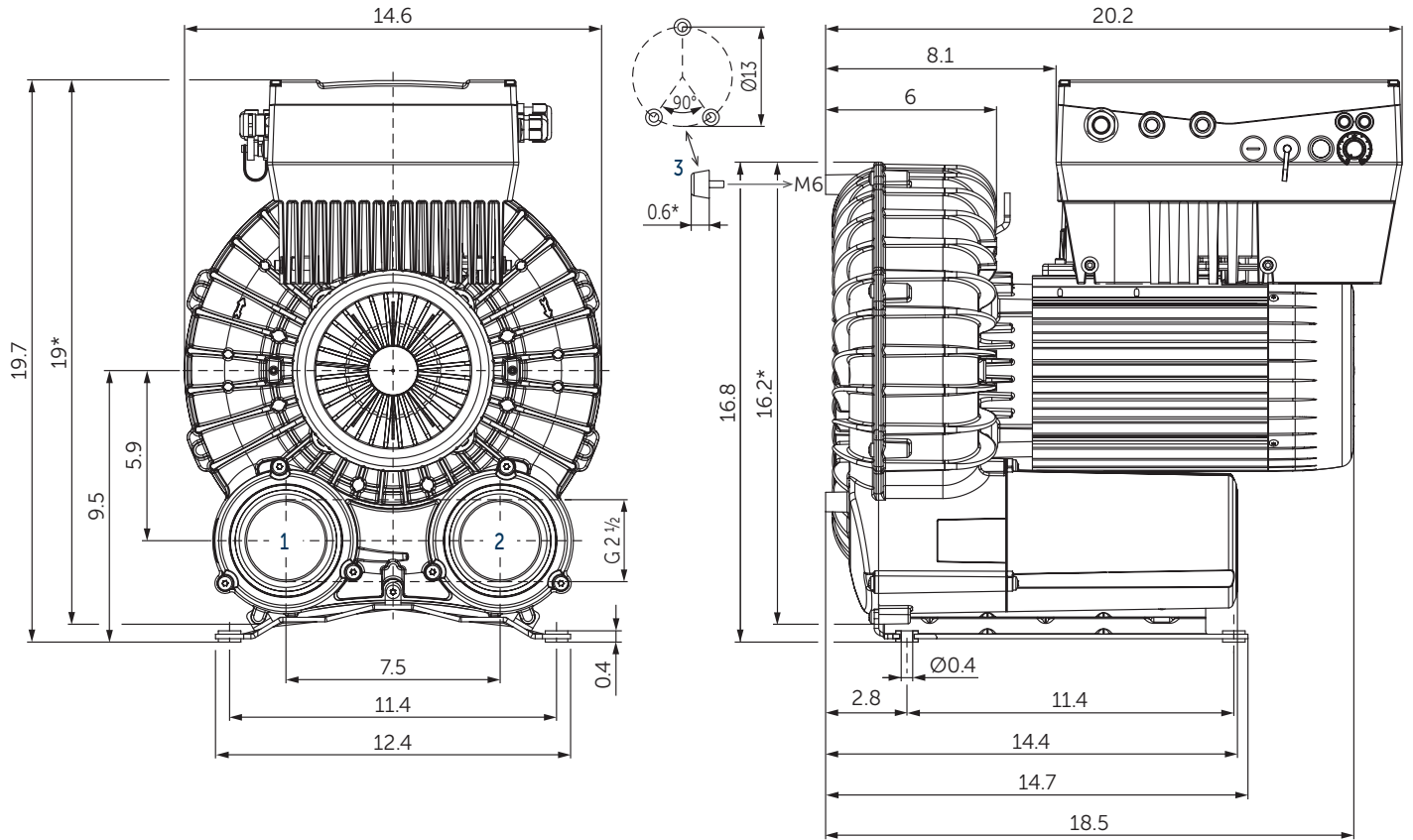
VARIAIR SV 300/1

SIDE CHANNEL VACUUM PUMPS

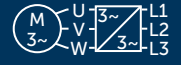

single stage, air-cooled
frequency inverter

MAKE IT BECKER.

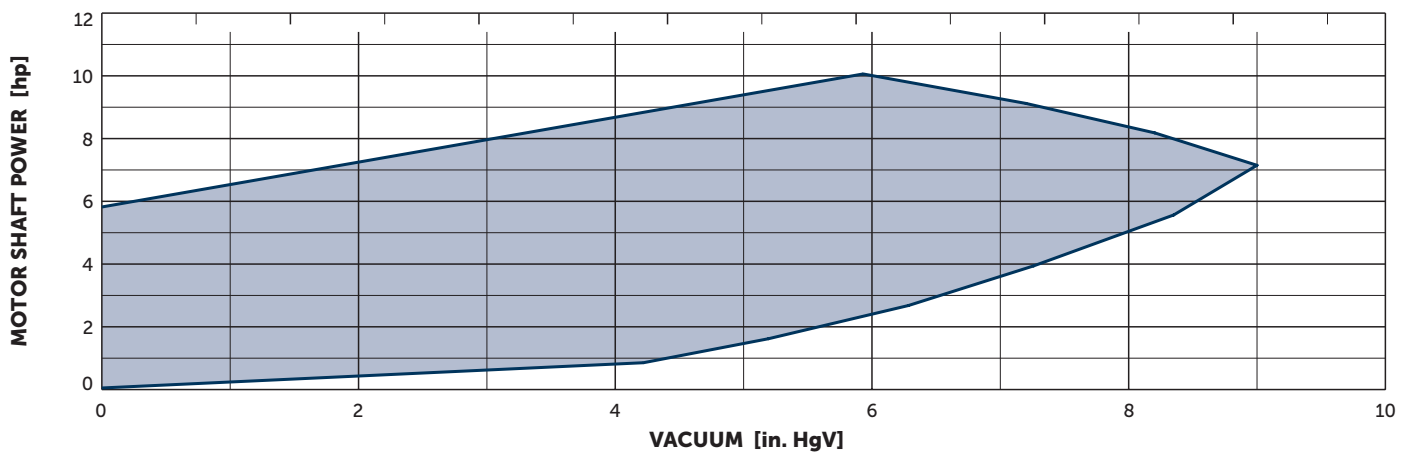
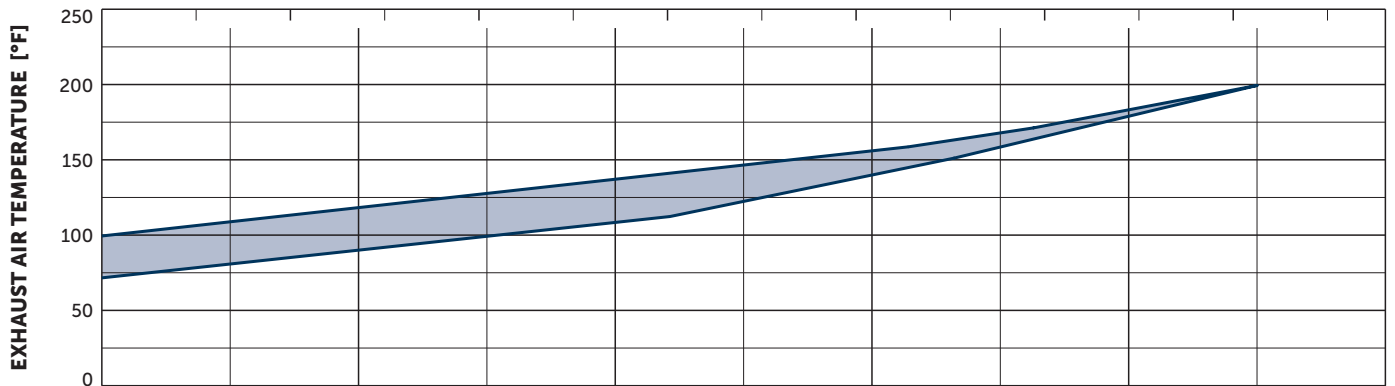
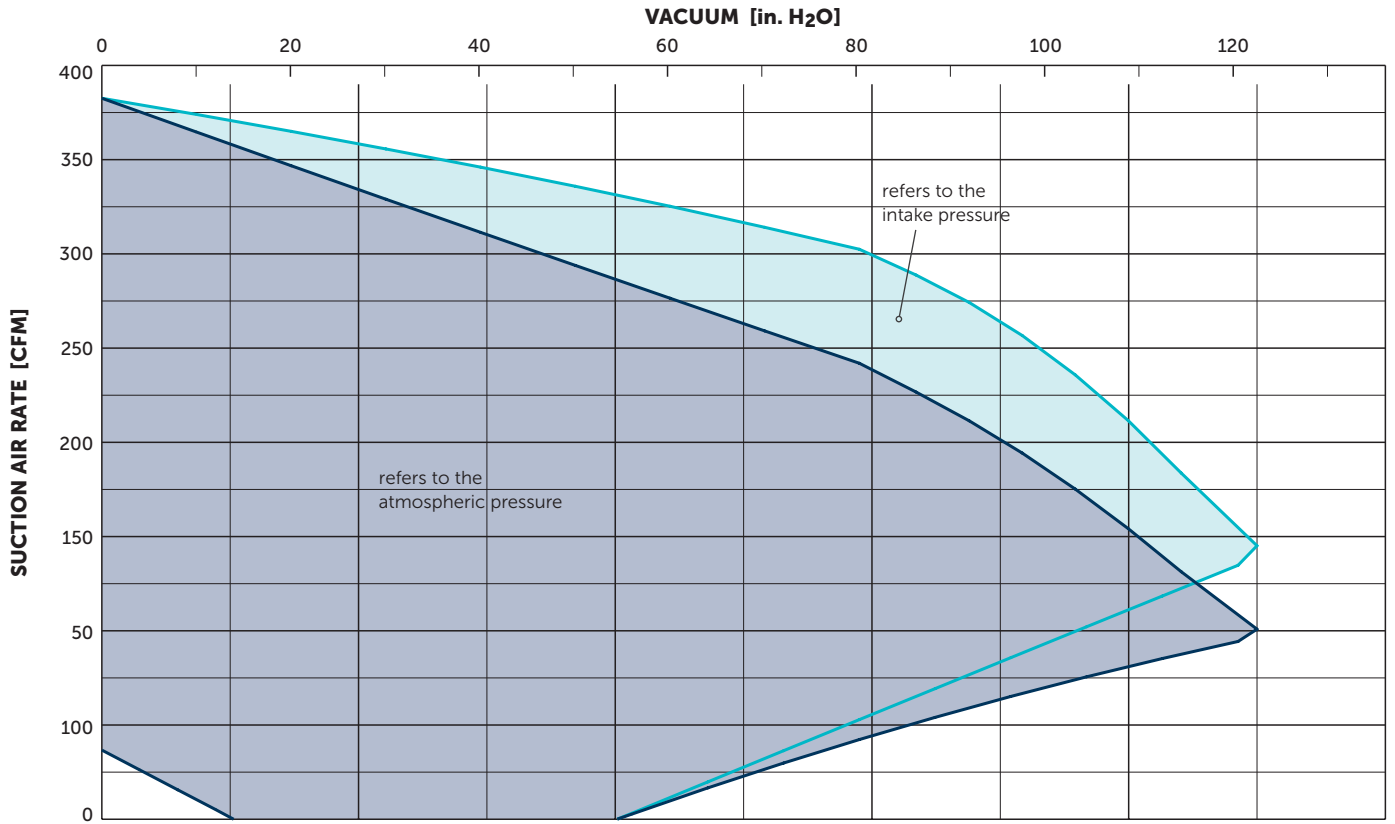




- 1 Vacuum connection (G2½)
- 2 Pressure connection (G2½)
- 3 Rubber buffer position (optional)
- * Device dimensions without pedestal (optional) under the silencer
- Dimensions in inch

Suction air rate	Vacuum		Frequency	Emission sound pressure level ¹⁾	Weight	 Frequency inverter VAU7.5/3	 A max.
	CFM	in. H ₂ O					
max.	max.	max.		@ 80.4 in. H ₂ O (67 Hz)			
376	122.6	9.1	10–100	74.0	109.5	10.1 hp 400–480 V ±10% 50/60 Hz	25

¹⁾ According to DIN EN ISO 11203, accuracy class of measurement: class 2, extended measurement uncertainty: 3 dB
39.4 inch distance, at medium load, both connection sides piped



Reference data (atmosphere): 0 in. HgV, 68°F; Tolerance: ±10%; Max. ambient temperature: 14°F ... 104°F



MAKE IT BECKER.