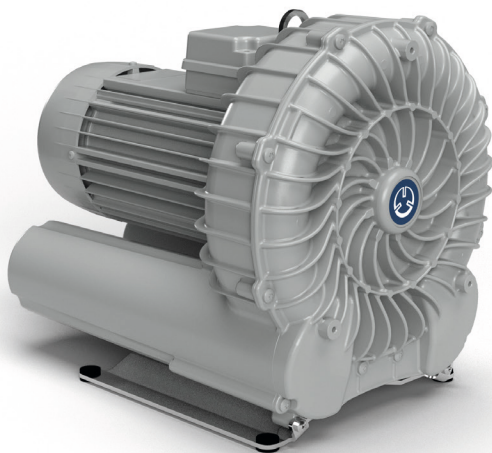


BETRIEBSANLEITUNG
OPERATING INSTRUCTIONS
INSTRUCTIONS DE SERVICE
ISTRUZIONI D'USO
HANDLEIDING
INSTRUCCIONES PARA EL MANEJO
MANUAL DE INSTRUÇÕES
NAUDOJIMOSI INSTRUKCIJA
KASUTUSJUHEND
LIETOŠANAS INSTRUKCIJA
DRIFTSINSTRUKS
DRIFTSINSTRUKTIONER
DRIFTSVEJLEDNING
INSTRUKCJA OBSŁUGI

KEZELÉSI ÚTMUTATÓ
NÁVOD K OBSLUZE
NAVODILO ZA UPORABO
NÁVOD NA OBSLUHU
UPUTE ZA RAD
MANUAL DE OPERATII
TREORACHA OIBRIÚCHÁIN
ΟΔΗΓΙΕΣ ΧΡΗΣΗΣ
EL KITABI
ИНСТРУКЦИИ ЗА ЕКСПЛОАТАЦИЯ
ИНСТРУКЦИЯ ПО ЕКСПЛОАТАЦИИ
取扱説明書
사용설명서
使用说明书

SV 200
SV 201

MAKE IT BECKER.




AIR		


	<p> 800038 8223427 Compressor / Ventilatorgehäuse Type: SV 200 Frequency: 50 Hz Speed: 3000 rpm Gross-Inputleistung: 1000 W Gross-Inputstrom: 18.5 A Net-Inputleistung: 750 W Net-Inputstrom: 13.8 A Net-Output: 1000 m³/h Net-Output (vacuum): 1000 m³/h </p> <p>m³/h mbar</p>
	<p>SV 200/1 (Pressure) ▶ 50/60 Hz, +175/-155 mbar L_{PA} = 64.6/68.2 dB(A)</p> <p>SV 200/1 (Vacuum) ▶ 50/60 Hz, -145/-165 mbar L_{PA} = 63.9/69.2 dB(A)</p> <p>SV 200/2 (Pressure) ▶ 50/60 Hz, +275/+300 mbar L_{PA} = 64.5/67.6 dB(A)</p> <p>SV 200/2 (Vacuum) ▶ 50/60 Hz, -230/-245 mbar L_{PA} = 63.7/68.4 dB(A)</p>
DIN EN ISO 11203 Accuracy Class 2 K _{PA} = 3 dB(A) l ← 1m	


static inst. ①-④		dynamic installation
<p> The pump must be securely mounted at the place of installation. Physical tension on the blower housing must be avoided.</p>		
SV 200	SV 201	28 kg 62 lbs

	40°C/104°F 15°C/59°F 1~ -10°C/14°F 3~		optional en option optionale optional Filter
INLET AIR	40°C/104°F 0°C/32°F	A > 100mm A > 4"	B > 295mm B > 11½"
	max. 800m		
	max. 90%		

	VACUUM		PRESSURE
		>100°C >212°F	
	optional en option optionale optional		



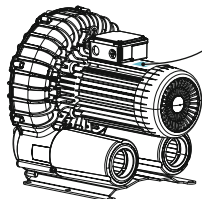





Frequency > 60Hz
Please consult **BECKER**


50 Hz	60 Hz
230/240 V ~	480/500 V ~
1.5/1.7 A	1.5/1.7 A
1.5/1.7 A	1.5/1.7 A

300 kg

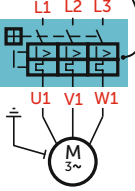


7






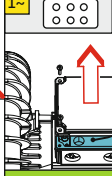
3~



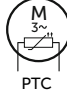
U1 V1 W1



1~




optional

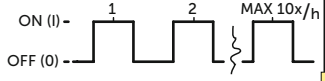


PTC

standard



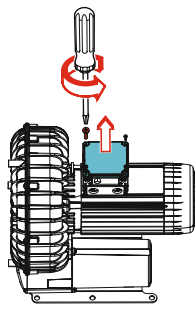
Bi-metal

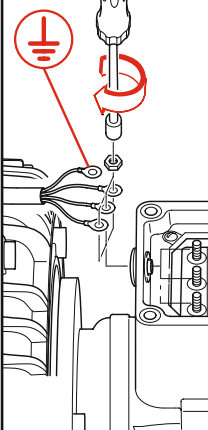


ON (I) - 1 2 MAX 10x/h


OFF (0) -


8

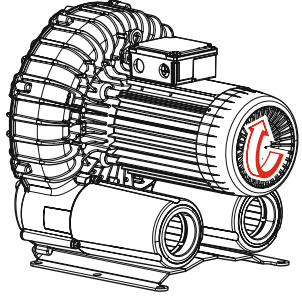





9








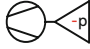
10



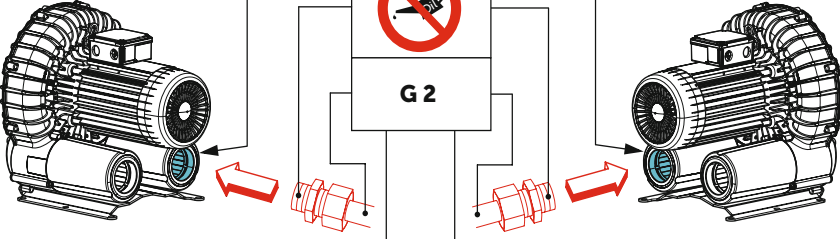
PRESSURE



G 2






VACUUM


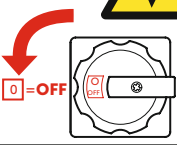





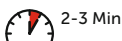



11

Maintenance






12

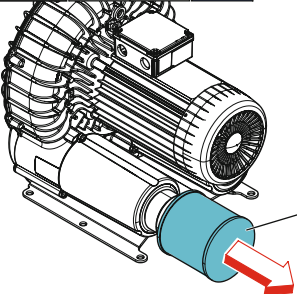
13

CLEANING INTERVAL



PRESSURE

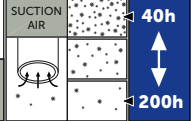
optional
en option
opcionale
opcional



F1

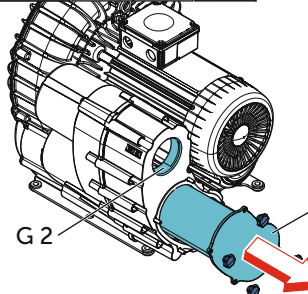
14

CLEANING INTERVAL



VACUUM PRESSURE

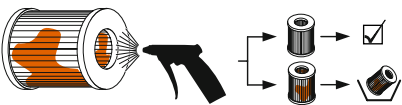
optional
en option
opcionale
opcional



G 2

F2

15




F1: PRESSURE

No.: 74000501000




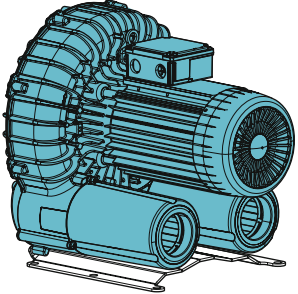
F2: VACUUM + PRESSURE

No.: 90951070000

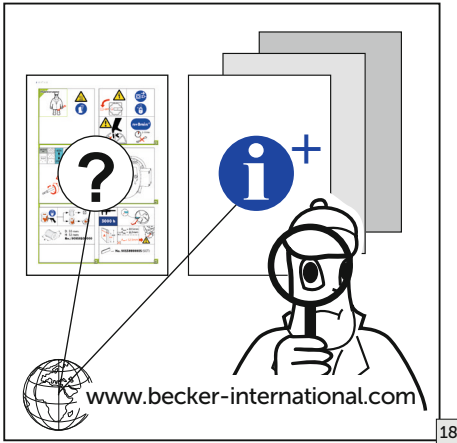


EN149 - FFP3
42 CFR 84 - N100

16

17



Gebr. Becker GmbH
Hoelker Feld 29-31
42279 WUPPERTAL
GERMANY
info@becker-international.com
www.becker-international.com



The Becker logo consists of a circular icon with three stylized human figures inside, followed by the word 'BECKER' in a bold, blue, sans-serif font.



28100060200 | 2021-12-17 | All rights reserved

MAKE IT BECKER.