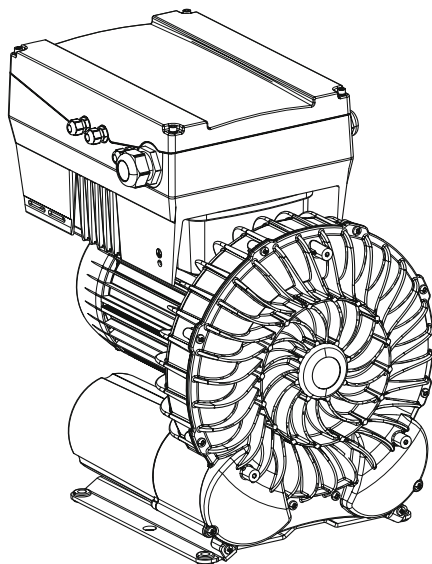


BETRIEBSANLEITUNG
OPERATING INSTRUCTIONS
INSTRUCCIONES DE SERVICE
ISTRUZIONI D'USO
HANDLEIDING
INSTRUCCIONES PARA EL MANEJO
MANUAL DE INSTRUÇÕES
NAUDOJIMOSI INSTRUKCIJA
KASUTUSJUHEND
LIETOŠANAS INSTRUKCIJA
DRIFTSINSTRUKS
DRIFTSINSTRUKTIONER
DRIFTSVEJLEDNING
INSTRUKCJA OBSŁUGI

KEZELÉSI ÚTMUTATÓ
NÁVOD K OBSLUZE
NAVODILO ZA UPORABO
NÁVOD NA OBSLUHU
UPUTE ZA RAD
MANUAL DE OPERATII
TREORACHA OIBRIÚCHÁIN
ΟΔΗΓΙΕΣ ΧΡΗΣΗΣ
EL KITABI
ИНСТРУКЦИИ ЗА ЕКСПЛОАТАЦИЯ
ИНСТРУКЦИЯ ПО ЕКСПЛОАТАЦИИ
取扱説明書
사용설명서
使用说明书

SV 400

MAKE IT BECKER.



VARIAIR
UNIT

 **BECKER**

<input checked="" type="checkbox"/> AIR		

1

	<table border="1"> <tr> <td>BECKER</td> <td>No</td> <td>year</td> </tr> <tr> <td>CE</td> <td>type</td> <td>Hz</td> </tr> <tr> <td>frequency</td> <td>speed</td> <td>min⁻¹</td> </tr> <tr> <td>power required</td> <td>air</td> <td>m³/h</td> </tr> <tr> <td>inlet capacity</td> <td>pressure</td> <td>mbar</td> </tr> <tr> <td>vacuum</td> <td>vacuum</td> <td>mbar</td> </tr> </table>	BECKER	No	year	CE	type	Hz	frequency	speed	min ⁻¹	power required	air	m ³ /h	inlet capacity	pressure	mbar	vacuum	vacuum	mbar	m ³ /h mbar
BECKER	No	year																		
CE	type	Hz																		
frequency	speed	min ⁻¹																		
power required	air	m ³ /h																		
inlet capacity	pressure	mbar																		
vacuum	vacuum	mbar																		
DIN EN ISO 11203 Accuracy Class 2 K _{pA} = 3 dB(A) l←1m	SV 400/1 (Pressure/Vacuum) ▶ 67 Hz, +260/-230 mbar L _{pA} = 77.7/76.8 dB(A)																			

2

static inst. ①-③			dynamic installation not permitted
The pump must be securely mounted at the place of installation. Physical tension on the blower housing must be avoided.			
			75 kg 165 lbs

3

			max. 90%
INLET AIR			max. 800m
			A > 100mm A > 4"

4

5

VACUUM		PRESSURE
		AIR >100°C >212°F
	optional en option opcionale opcional	

6

*) Circuit breaker
VAU 11-22/3 → **C 25**

VAU 4/4
VAU(w) 7.5/3
VAU 11-22/3

BECKER

Ser.-Nr.:

Input:V

Output: 3~..... Hz

IP... C E

Art.-Nr. VAU 4/4 ...

5 **4Nm**

1, 2, 3

PE

PRESSURE

G 3

VACUUM

7

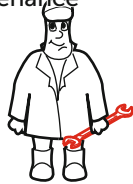


8

9




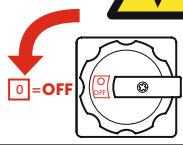




10

11

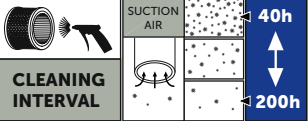
Maintenance

12

13



CLEANING INTERVAL

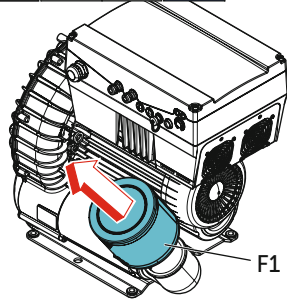
SUCTION AIR

40h

200h

PRESSURE

optional en option
opcionale optional



F1

14




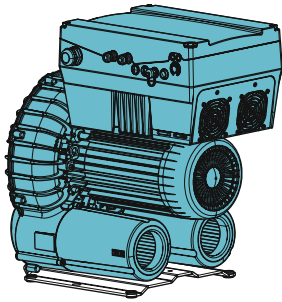



F1: PRESSURE
No.: 90959000000



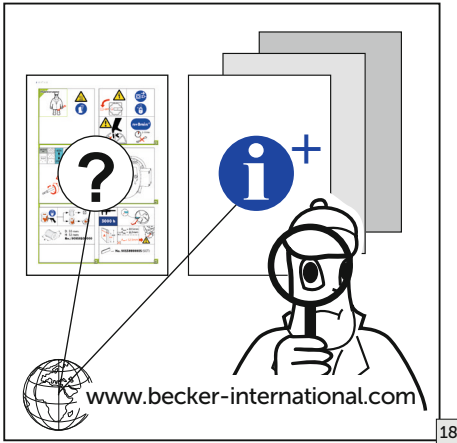
EN149 - FFP3
42 CFR 84 - N100

15

16

17



Gebr. Becker GmbH
Hoelker Feld 29-31
42279 WUPPERTAL
GERMANY
info@becker-international.com
www.becker-international.com



The logo consists of a circular icon with three stylized human figures inside, followed by the word **BECKER** in a bold, blue, sans-serif font.



2810060451 | 2021-08-12 | All rights reserved

MAKE IT BECKER.