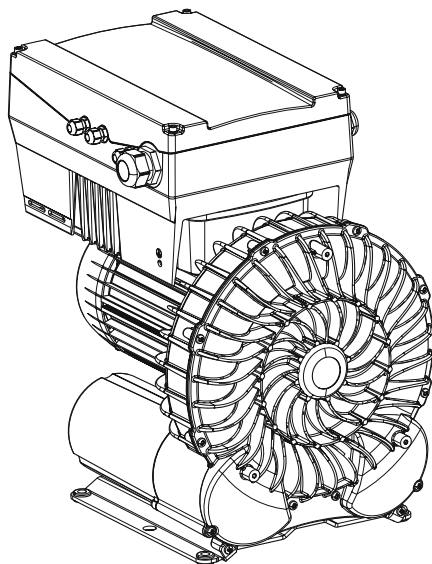


BETRIEBSANLEITUNG
OPERATING INSTRUCTIONS
INSTRUCCIONES DE SERVICE
ISTRUZIONI D'USO
HANDLEIDING
INSTRUCCIONES PARA EL MANEJO
MANUAL DE INSTRUÇÕES
NAUDOJIMOSI INSTRUKCIJA
KASUTUSJUHEND
LIETOŠANAS INSTRUKCIJA
DRIFTSINSTRUKS
DRIFTSINSTRUKTIONER
DRIFTSVEJLEDNING
INSTRUKCJA OBSŁUGI

KEZELÉSI ÚTMUTATÓ
NÁVOD K OBSLUZE
NAVODILO ZA UPORABO
NÁVOD NA OBSLUHU
UPUTE ZA RAD
MANUAL DE OPERATII
TREORACHA OIBRIÚCHÁIN
ΟΔΗΓΙΕΣ ΧΡΗΣΗΣ
EL KITABI
ИНСТРУКЦИИ ЗА ЕКСПЛОАТАЦИЯ
ИНСТРУКЦИЯ ПО ЕКСПЛОАТАЦИИ
取扱説明書
사용설명서
使用说明书


SV 500

MAKE IT BECKER.

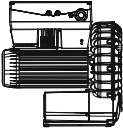



VARIAIR
UNIT

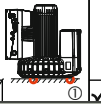



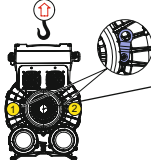

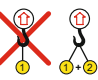
 **BECKER**

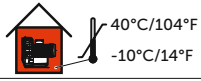

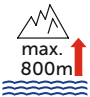
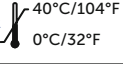
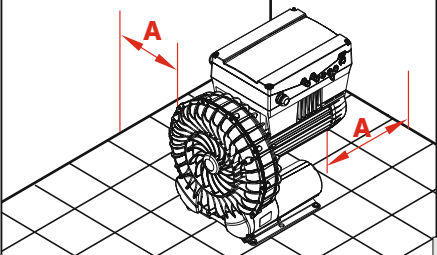
1

		<p>m³/h</p> <p>mbar</p>
	<p>DIN EN ISO 11203 Accuracy Class 2 K_{pA} = 3 dB(A) l←1m</p> <p>SV 500/1 (Pressure/Vacuum) ▶ 67 Hz, +333/-300 mbar L_{pA} = 80.9/80.6 dB(A)</p>	

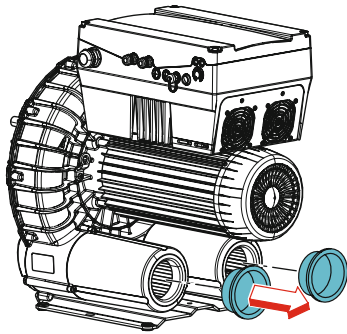
2

<p>static inst. ①-③</p> 		 <p>dynamic installation not permitted</p>
<p> The pump must be securely mounted at the place of installation. Physical tension on the blower housing must be avoided.</p>		
	 <p>97.5 kg 215 lbs</p>	

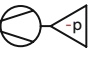
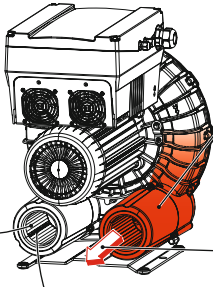
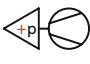



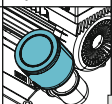
3

		
<p>INLET AIR</p> 	<p>max. 90%</p>	<p>A > 100mm A > 4"</p>
		

4



5

 <p>VACUUM</p>		 <p>PRESSURE</p>
		
 <p>AIR</p> <p>>100°C >212°F</p>		
<p>optional en option optionale opcional</p>		<p>6</p>

6

<p>VAU 4/4 VAU(w) 7.5/3 VAU 11-22/3</p>	<p>*) Circuit breaker VAU 11-22/3 → C 35</p>		

7

	<p>BECKER Ser.-Nr.:</p>	<p>Input:VHz Output: 3~.....Hz IP... C E Art.-Nr. VAU 4/4</p>

8

	<p>5 4Nm</p>





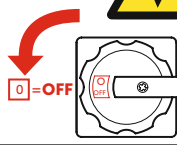






9




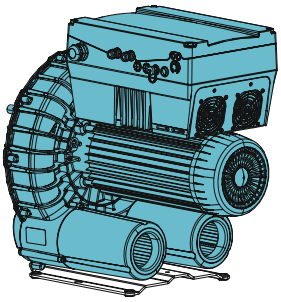
<p>5.5mm </p>	
---------------	--

10

<p> PRESSURE</p>	<p> G 3</p>	<p> VACUUM</p>

11

<p>Maintenance</p> 	 	 	 
		 	  <p>2-3 Min</p>



Gebr. Becker GmbH
Hoelker Feld 29-31
42279 WUPPERTAL
GERMANY
info@becker-international.com
www.becker-international.com



The Becker logo consists of a circular icon with three stylized human figures inside, followed by the word 'BECKER' in a bold, blue, sans-serif font.



MAKE IT BECKER.

28100060551 | 2021-08-12 | All rights reserved