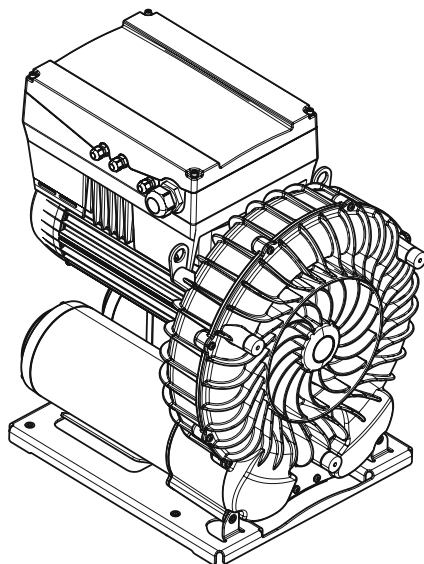


BETRIEBSANLEITUNG
OPERATING INSTRUCTIONS
INSTRUCTIONS DE SERVICE
ISTRUZIONI D'USO
HANDLEIDING
INSTRUCCIONES PARA EL MANEJO
MANUAL DE INSTRUÇÕES
NAUDOJIMOSI INSTRUKCIJA
KASUTUSJUHEND
LIETOŠANAS INSTRUKCIJA
DRIFTSINSTRUKS
DRIFTSINSTRUKTIONER
DRIFTSVEJLEDNING
INSTRUKCJA OBSŁUGI

KEZELÉSI ÚTMUTATÓ
NÁVOD K OBSLUZE
NAVODILO ZA UPORABO
NÁVOD NA OBSLUHU
UPUTE ZA RAD
MANUAL DE OPERATII
TREORACHA OIBRIÚCHÁIN
ΟΔΗΓΙΕΣ ΧΡΗΣΗΣ
EL KITABI
ИНСТРУКЦИИ ЗА ЕКСПЛОАТАЦИЯ
ИНСТРУКЦИЯ ПО ЕКСПЛОАТАЦИИ
取扱説明書
사용설명서
使用说明书

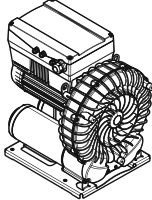

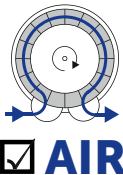




SV 700

MAKE IT BECKER.

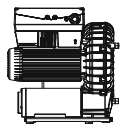



VARIAIR
UNIT


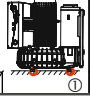
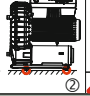
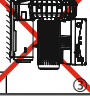

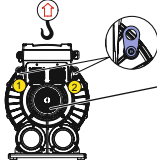


 **BECKER**

| | |
|---|---|
|   |  |
| | |
|  |  |
| |  |
| |  |
| |  |




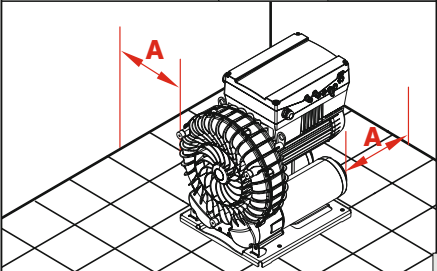
1

| | | |
|---|---|---------------------------------|
|  |  | <p>m³/h mbar</p> |
| | <p>DIN EN ISO 11203 Accuracy Class 2 K_{PA} = 3 dB(A) l←1m</p> | |

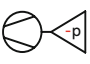
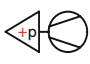
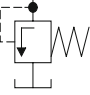
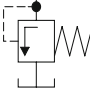
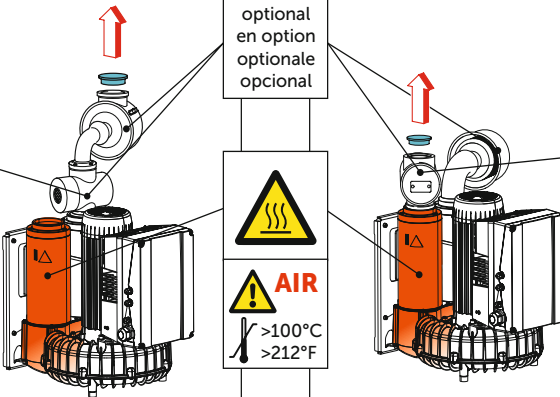

2

| | | |
|--|---|--|
| <p>static inst. ①-③</p> |  | <p>dynamic installation not permitted</p> |
|  |  |  |
| <p> The pump must be securely mounted at the place of installation. Physical tension on the blower housing must be avoided.</p> | | |
|  |  |  <p>120 kg 265 lbs</p> |

3

| | | |
|--|---|--|
|  <p>40°C/104°F -10°C/14°F</p> |  <p>max. 90%</p> |  <p>max. 800m</p> |
| <p>INLET AIR</p> <p>40°C/104°F 0°C/32°F</p> | | <p>A > 100mm A > 4"</p> |
|  | | |

4

| | | |
|--|--|---|
| <p> VACUUM</p> | <p>optional en option opcionale opcional</p> | <p> PRESSURE</p> |
|  | |  |
|  | | |
| <p> AIR</p> <p>>100°C >212°F</p> | | |

5

VAU 4/4
 VAU(w) 7.5/3
 VAU 11-22/3

L1 L2 L3
 L1 L2 L3
 3~ 3~
 U V W
 M
 3~

*) Circuit breaker
 VAU 11-22/3 → C 25

6

BECKER
 Ser.-Nr.:
 Input:V
 Output: 3~.....Hz
 IP... C E
 Art.-Nr. VAU 4/4 ...

7

4Nm

1
 2
 3
 PE

8

5.5mm
 L1 L2 L3

9

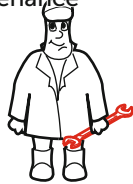


PRESSURE

G 4


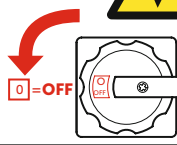




VACUUM

10


Maintenance

11


n=0min⁻¹




2-3 Min

12

CLEANING INTERVAL



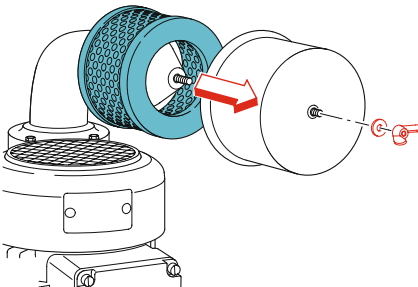
SUCTION AIR



40h
↑↓
200h

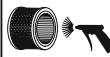
PRESSURE

optional
en option
optionale
opcional




13

CLEANING INTERVAL



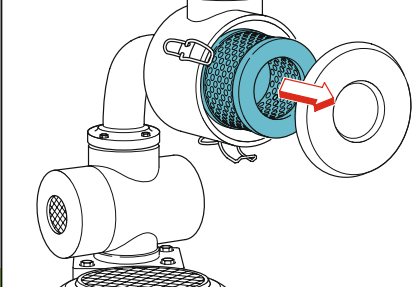
SUCTION AIR



40h
↑↓
200h


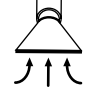
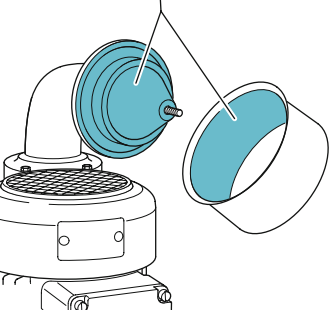
VACUUM

optional
en option
optionale
opcional



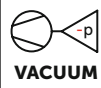

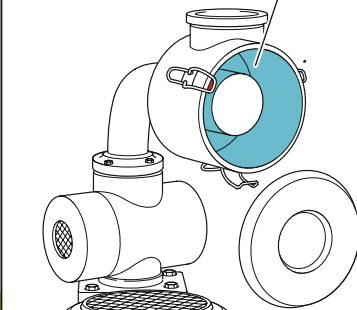
14

PRESSURE

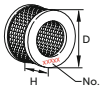


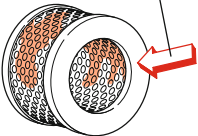
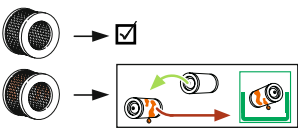




15




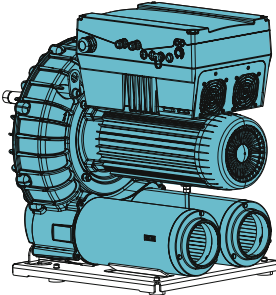
VACUUM

16

| | | |
|---|---|---|
|  |  |  |
| <p>1.</p>  | | <p>EN149 - FFP3 42 CFR 84 - N100</p> |
| <p>2.</p>  | | |

17

| | | |
|---|---|---|
|  |  |  |
|  | | |

18



www.becker-international.com

19



WWW.BECKER-INTERNATIONAL-SHOP.COM

Gebr. Becker GmbH
 Hoelker Feld 29-31
 42279 WUPPERTAL
 GERMANY
info@becker-international.com
www.becker-international.com





MAKE IT BECKER.

28100060651 | 2021-08-12 | All rights reserved