

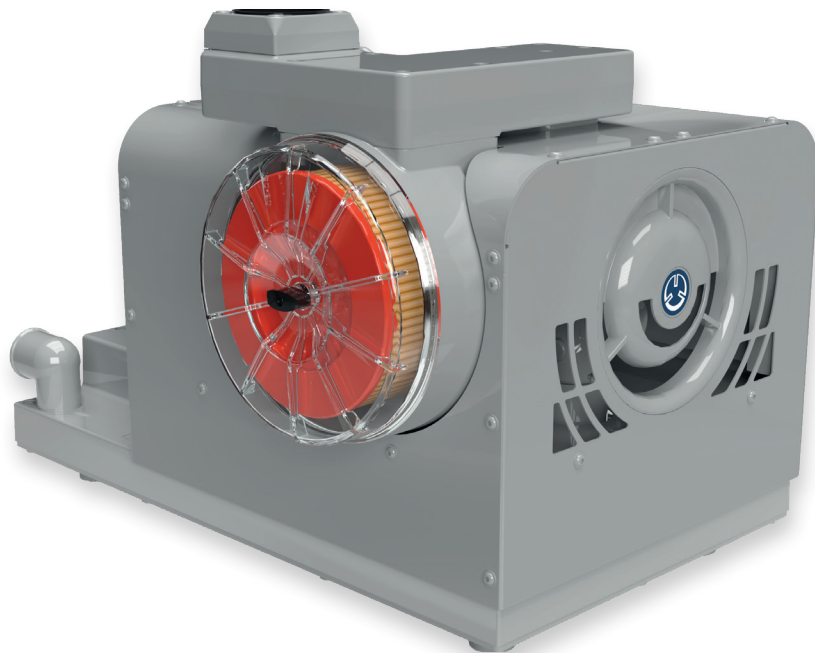
DATA SHEET

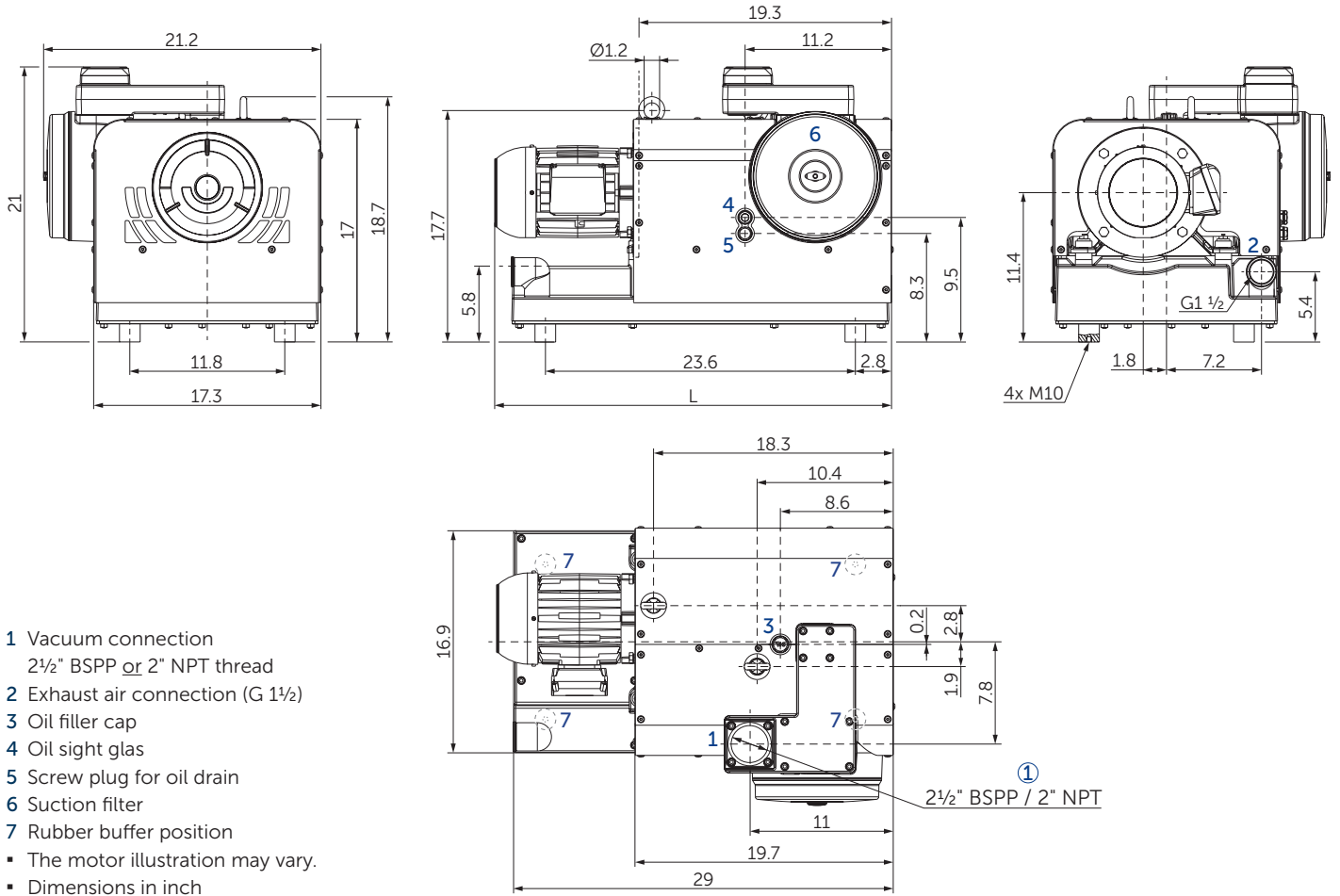
BCV 100

CLAW VACUUM PUMPS

dry and contact free compression
air-cooled

MAKE IT BECKER.





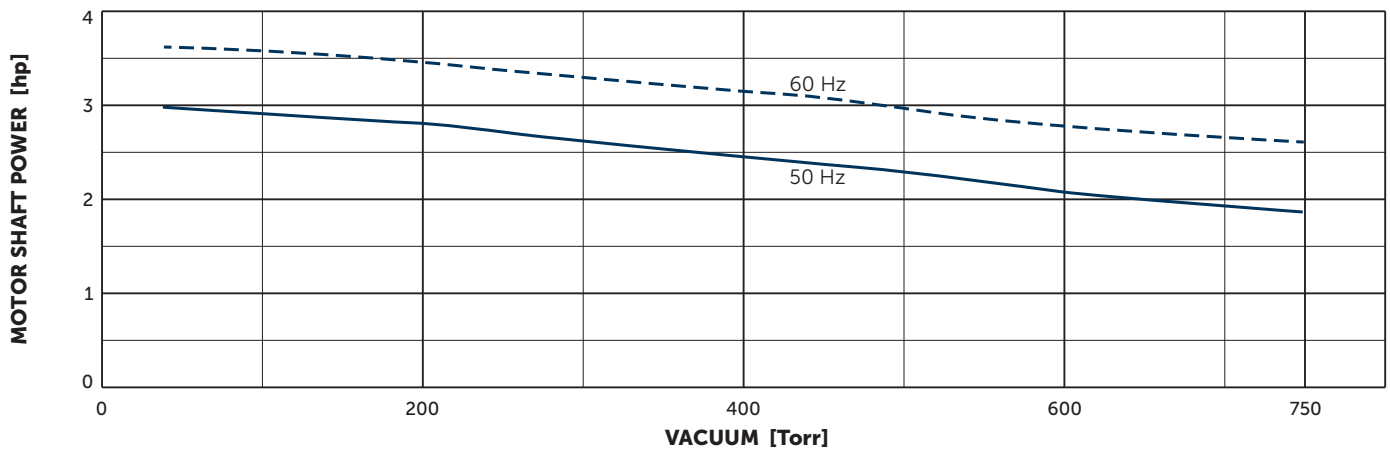
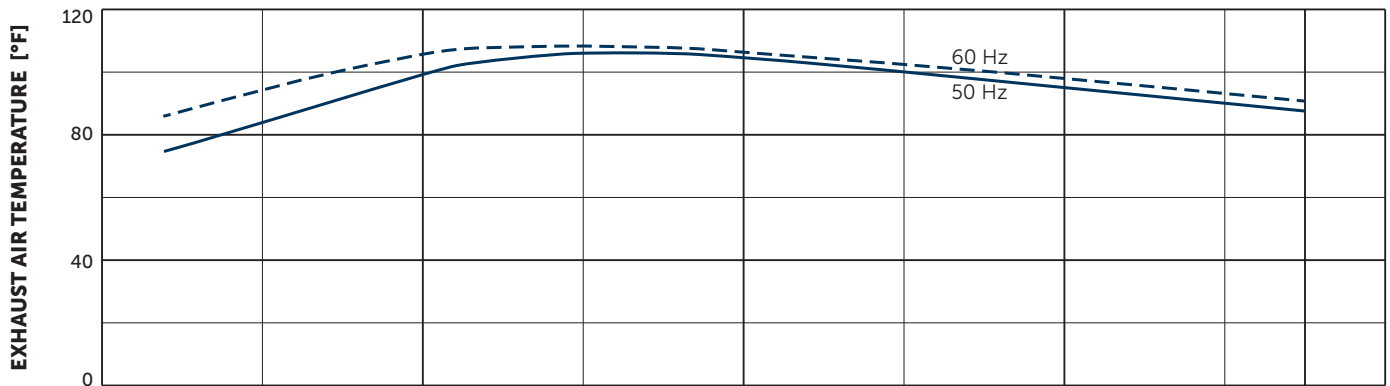
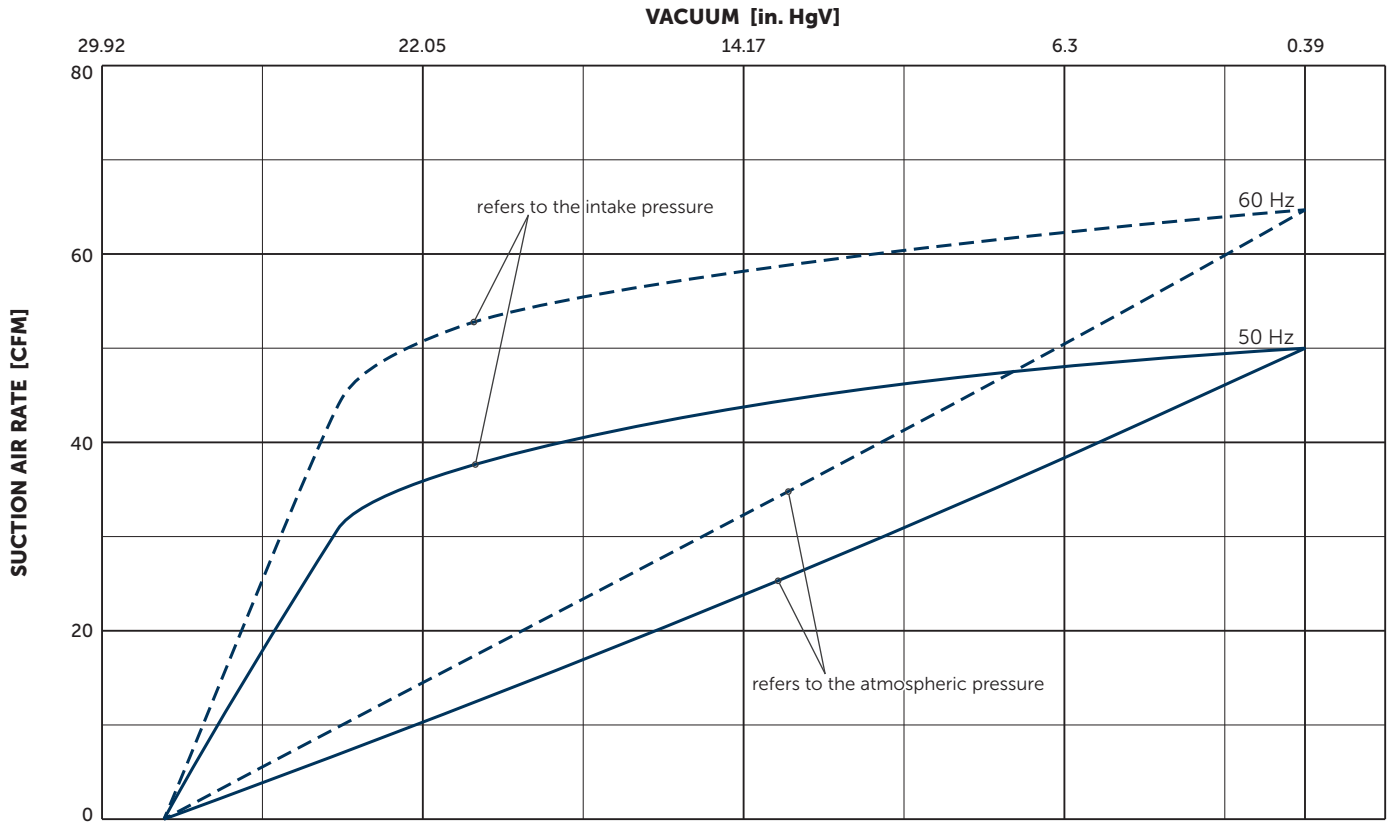
- 1 Vacuum connection
2 1/2" BSPP or 2" NPT thread
- 2 Exhaust air connection (G 1 1/2)
- 3 Oil filler cap
- 4 Oil sight glass
- 5 Screw plug for oil drain
- 6 Suction filter
- 7 Rubber buffer position
 - The motor illustration may vary.
 - Dimensions in inch

Nominal capacity		Vacuum		Emission sound pressure level ¹⁾		Weight without motor
CFM		Torr	in. HgV	dB(A)		lbs
50 Hz	60 Hz	50 & 60 Hz	50 & 60 Hz	50 Hz	60 Hz	
58.8	70.6	37.5	28.1	67 (@ 300 Torr)	70 (@ 300 Torr)	211.7

¹⁾ According to DIN EN ISO 11203, accuracy class of measurement: class 2, extended measurement uncertainty: 3 dB
39.4 inch distance, at medium load, without integrated filtration, both connection sides piped

3~ Motors											L		
#	50 Hz				60 Hz				Version	Weight lbs	inch		
	hp	V	rpm	A	hp	V	rpm	A					
01		Δ220/Y380	IE3	2850	7.82/4.52					UL • CSA • CC IP55 • ISO F • PTC	55.1	30.3	
	3.0	Δ230/Y400	IE3	2870	7.71/4.43	3.0	Y460	IE3	3490				3.89
		Δ240/Y415	IE3	2880	7.55/4.37								
						3.6	Δ230/Y400	IE1	3380	9.21/5.30			
							Δ265/Y460	IE2	3455	7.86/4.53			
02	4.0	Δ230/Y400	IE3	2910	10.0/5.77	4.0	YY230/Y460	IE3	3525	10.0/5.01	UL • CSA • CC IP55 • ISO F • PTC	81.6	31.7
						4.0	YY208		3508	10.8			
03	4.0	Δ290/Y500	IE3	2915	7.96/4.61	4.0	Δ332/Y575	IE3	3525	6.94/4.0	UL • CSA • CC IP55 • ISO F • PTC	77.2	31.7
04							Δ200/Y346	IE3	3455	10.2/5.92	UL • CSA • CC IP55 • ISO F • PTC	63.9	31.5
	3.0	Δ200/Y346	IE3	2905	9.48/5.48	3.6	Δ220/Y380	IE3	3480	9.65/5.59			
							Y400	IE3	3490	5.51			

• Type plate data on current consumption and rotation speed of the motors may vary. Tolerance -1.5/+2% in each case.



Suction air rate refers to the intake pressure
 Reference data (atmosphere): 750 Torr, 68°F; Tolerance: ±10%

+ VARIANTS

- **BCV 100 PRO** with corrosion protection
- **VARIAIR BCV 100** with frequency inverter¹⁾

VARIAIR
UNIT



VARIAIR BCV 100

¹⁾ See separate data sheet



MAKE IT BECKER.