

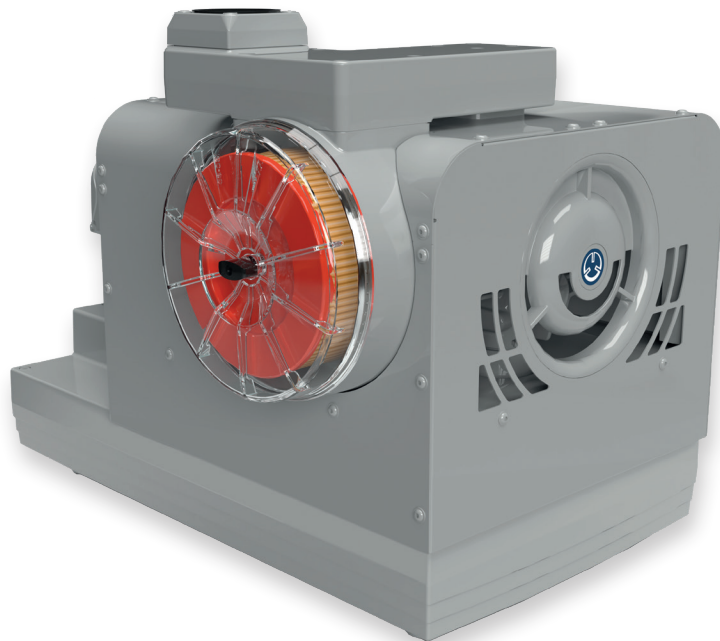
DATA SHEET

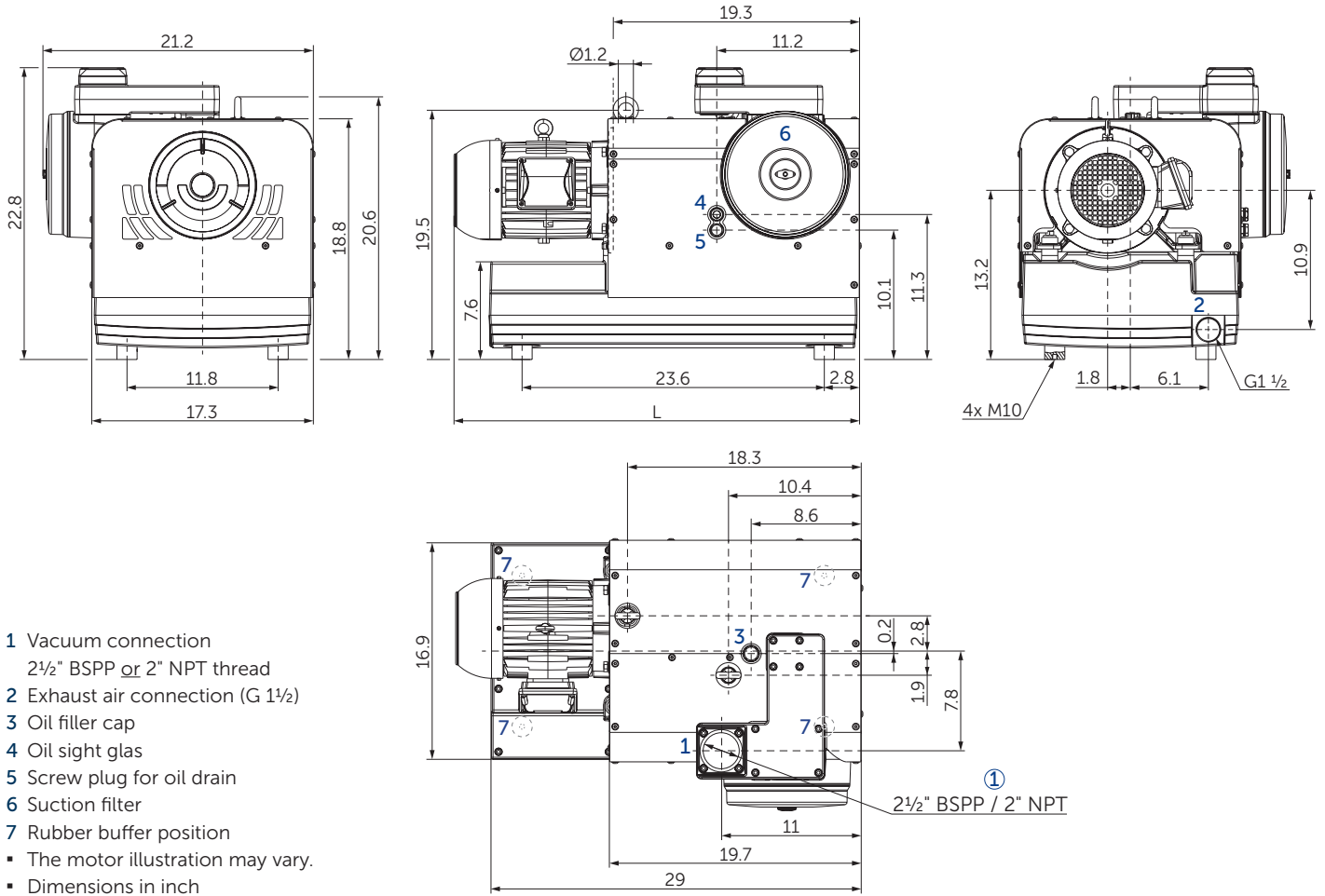
BCV 150

CLAW VACUUM PUMPS

dry and contact free compression
air-cooled

MAKE IT BECKER.



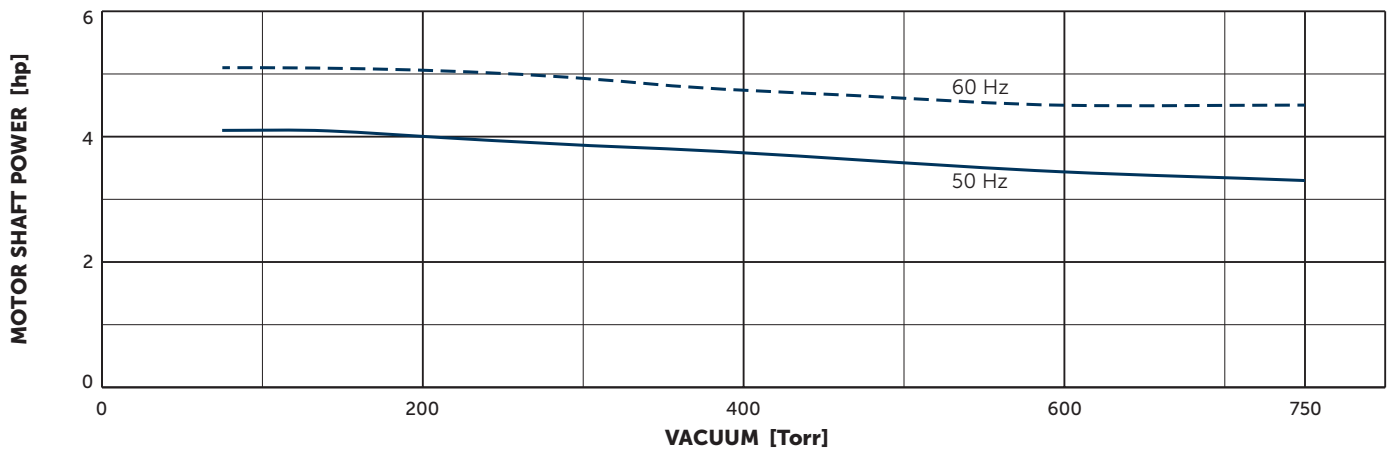
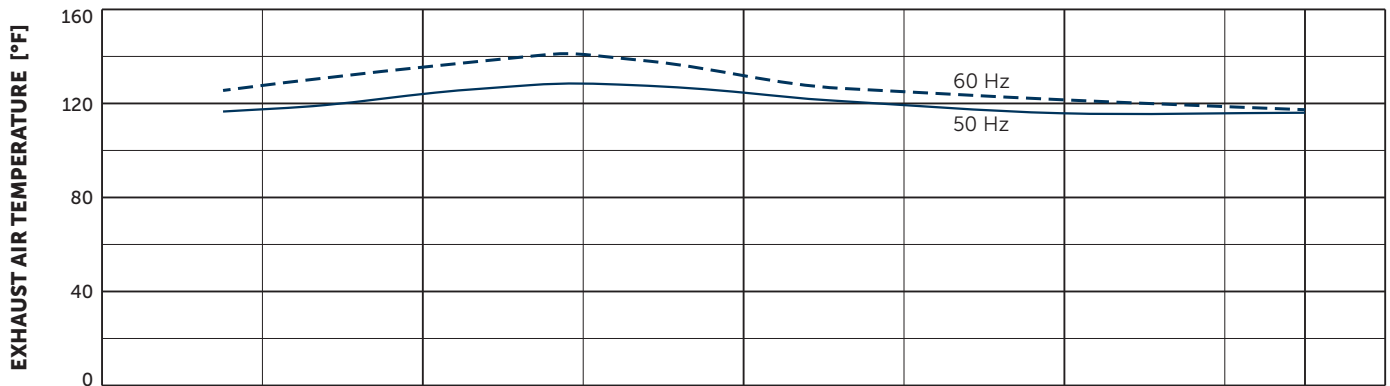
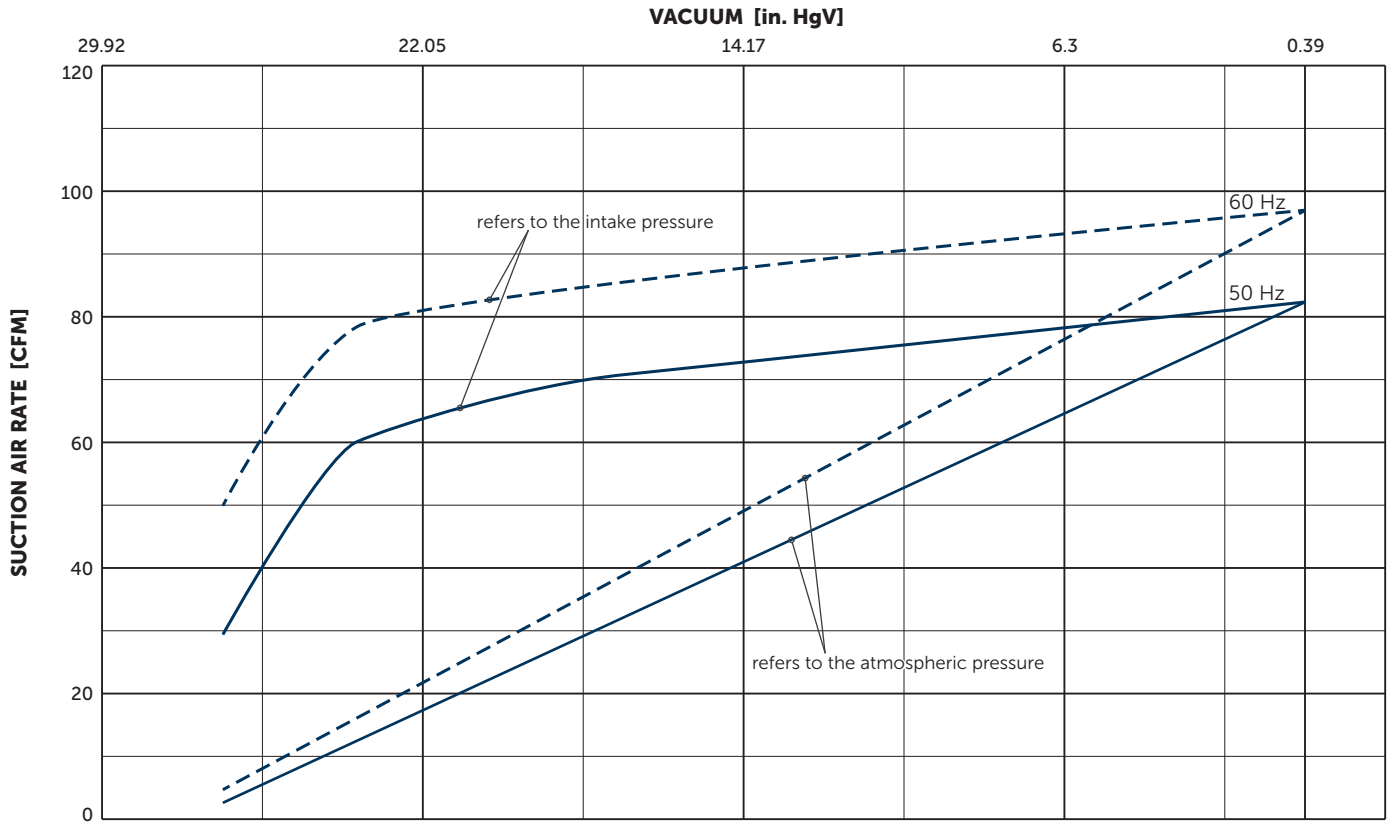


Nominal capacity		Vacuum		Emission sound pressure level ¹⁾		Weight without motor
CFM		Torr	in. HgV	dB(A)		lbs
50 Hz	60 Hz	50 & 60 Hz	50 & 60 Hz	50 Hz	60 Hz	
88.2	105.8	75	26.6	67 (@ 450 Torr)	71 (@ 450 Torr)	344

¹⁾ According to DIN EN ISO 11203, accuracy class of measurement: class 2, extended measurement uncertainty: 3 dB 39.4 inch distance, at medium load, without integrated filtration, both connection sides piped

3~ Motors											L		
#	50 Hz				60 Hz				Version	Weight lbs	inch		
	hp	V	rpm	A	hp	V	rpm	A					
01		Δ220/Y380	IE3	2900	10.3/5.95					UL • CSA • CC IP55 • ISO F • PTC	75.0	31.7	
	4.0	Δ230/Y400	IE3	2910	10.0/5.77	4.0	Y460	IE3	3520				5.01
		Δ240/Y415	IE3	2915	9.82/5.68								
						4.8	Δ230/Y400	IE1	3453				11.6/6.69
						Δ265/Y460	IE2	3505	10.2/5.87				
02	5.4	Δ230/Y400	IE3	2910	13.2/7.59	5.4	YY230/Y460	IE3	3520	13.5/6.75	UL • CSA • CC IP55 • ISO F • PTC	99.2	32.4
						5.4	YY208		3500	14.6			
03	5.4	Δ290/Y500	IE3	2910	10.5/6.08	5.4	Δ332/Y575	IE3	3525	9.47/5.47	UL • CSA • CC IP55 • ISO F • PTC	97.0	32.4
04	4.0	Δ200/Y346	IE3	2935	12.3/7.1	4.8	Δ200/Y346	IE3	3500	13.2/7.63	UL • CSA • CC IP55 • ISO F • PTC	83.8	33.4
							Δ220/Y380	IE3	3520	12.4/7.19			
							Y400	IE3	3525	6.99			

• Type plate data on current consumption and rotation speed of the motors may vary. Tolerance -1.5/+2% in each case.



Suction air rate refers to the intake pressure
 Reference data (atmosphere): 750 Torr, 68°F; Tolerance: ±10%

+ VARIANTS

- **BCV 150 PRO** with corrosion protection
- **VARIAIR BCV 150** with frequency inverter¹⁾

VARIAIR
UNIT



VARIAIR BCV 150

¹⁾ See separate data sheet



MAKE IT BECKER.