

DATA SHEET

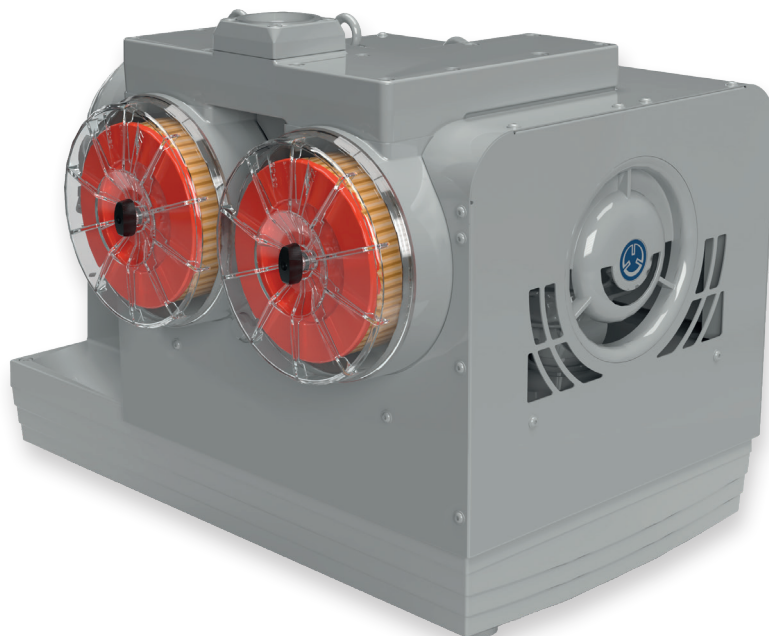
**BCV 300**

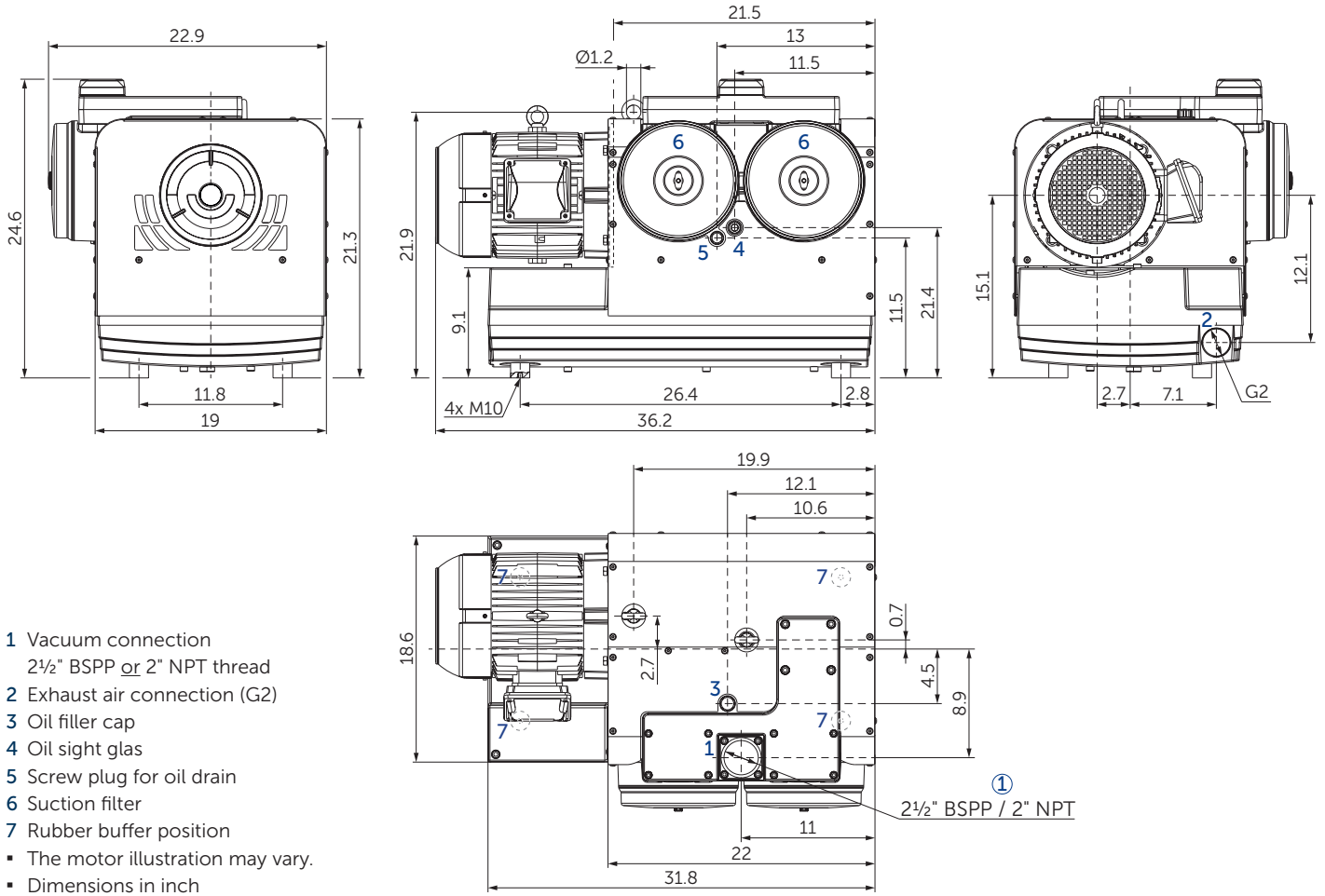
# **CLAW VACUUM PUMPS**

dry and contact free compression  
air-cooled

---

**MAKE IT BECKER.**





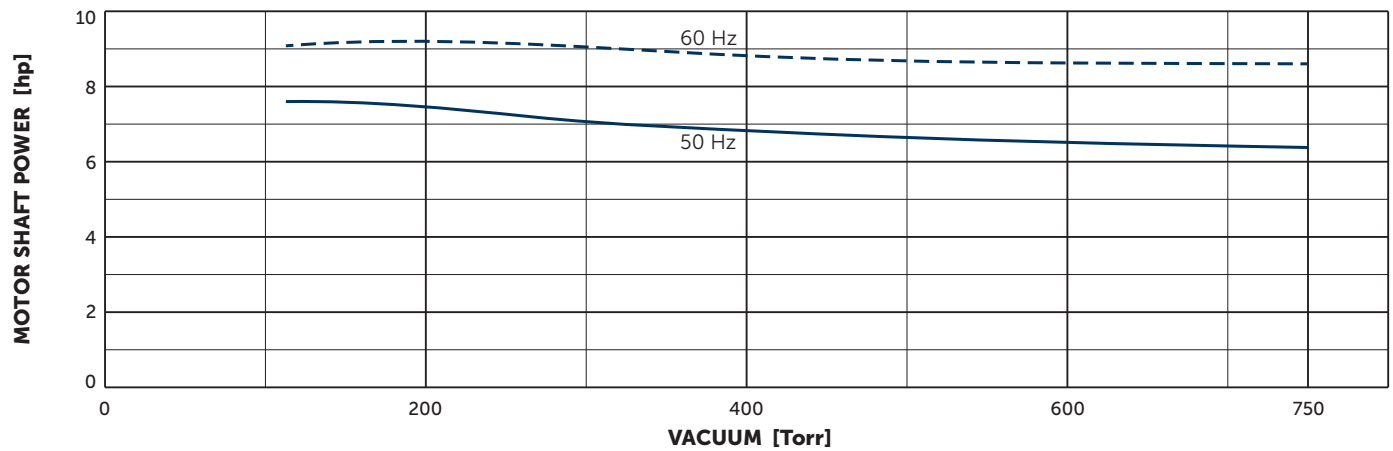
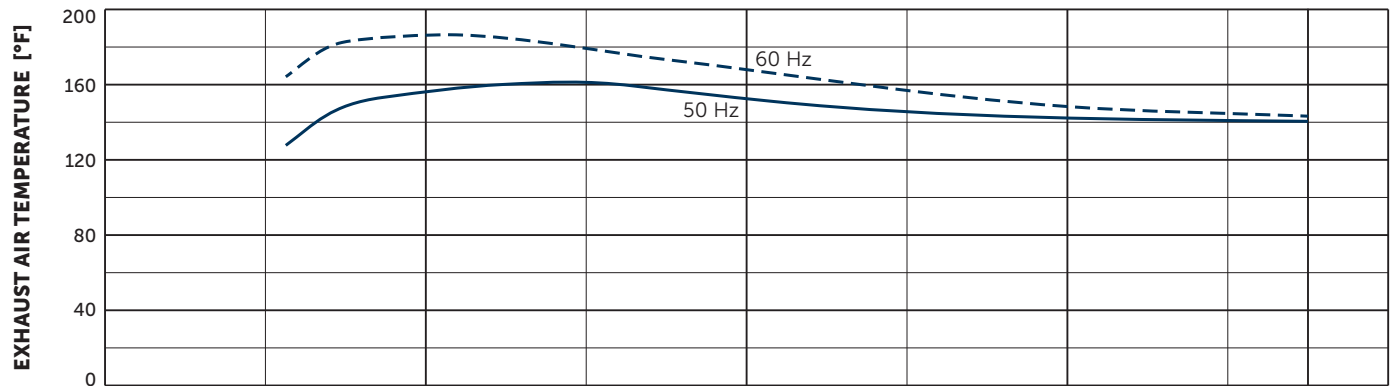
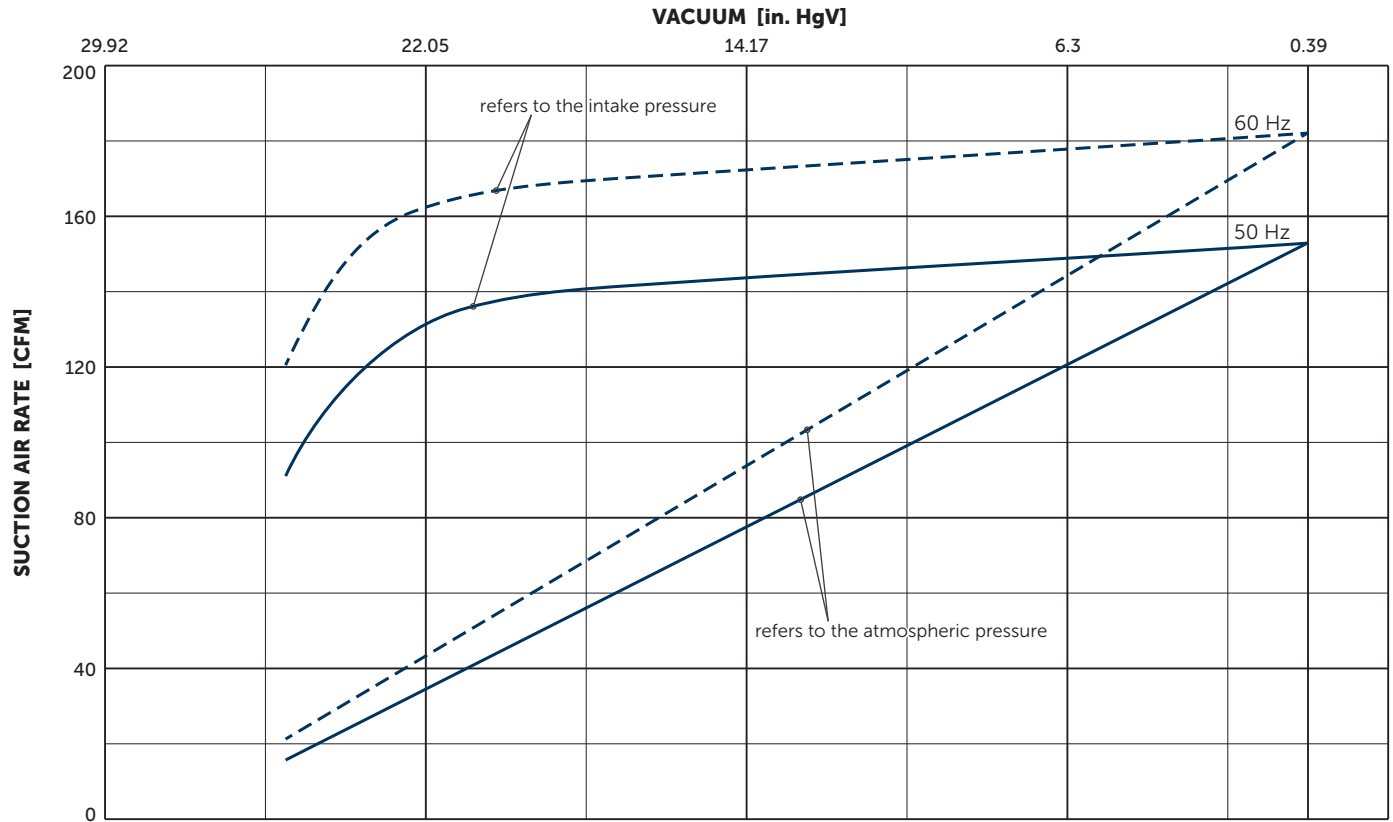
- 1 Vacuum connection  
2 1/2" BSPP or 2" NPT thread
- 2 Exhaust air connection (G2)
- 3 Oil filler cap
- 4 Oil sight glass
- 5 Screw plug for oil drain
- 6 Suction filter
- 7 Rubber buffer position
- The motor illustration may vary.
- Dimensions in inch

Nominal capacity		Vacuum		Emission sound pressure level <sup>1)</sup>		Weight without motor
CFM		Torr	in. HgV	dB(A)		lbs
50 Hz	60 Hz	50 & 60 Hz	50 & 60 Hz	50 Hz	60 Hz	
161.7	191.1	112.5	25.1	69 (@ 300 Torr)	72 (@ 300 Torr)	758.5

<sup>1)</sup> According to DIN EN ISO 11203, accuracy class of measurement: class 2, extended measurement uncertainty: 3 dB  
39.4 inch distance, at medium load, without integrated filtration, both connection sides piped

3~ Motors													
#	50 Hz					60 Hz					Version	Weight lbs	
	hp	V	IE	rpm	A	hp	V	IE	rpm	A			
01		Δ380/Y660	IE3	2935	10.8/6.22							UL • CSA • CC IP55 • ISO F • PTC	145.5
	7.4	Δ400/Y690	IE3	2940	10.6/6.14	7.4	Δ460	IE3	3550	9.29			
		Δ415	IE3	2945	10.6								
						8.9	Δ400/Y690	IE1	3495	12.7/7.34			
							Δ460	IE1	3530	10.8			
02	10.1	Δ230/Y400	IE3	2930	24.5/14.1	10.1	YY230/Y460	IE3	3540	24.8/12.4	UL • CSA • CC IP55 • ISO F • PTC	156.6	
						10.1	YY208		3525	26.2			
03	10.1	Δ290/Y500	IE3	2930	19.5/11.3	10.1	Δ332/Y575	IE3	3540	17.2/9.94	UL • CSA • CC IP55 • ISO F • PTC	158.8	
04							Δ200/Y346	IE3	3535	23.7/13.7		163.2	
	7.4	Δ200/Y346	IE3	2955	22.2/12.9	8.9	Δ220/Y380	IE3	3545	22.6/13.1	UL • CSA • CC IP55 • ISO F • PTC		
							Y400	IE3	3550	12.7			

- Type plate data on current consumption and rotation speed of the motors may vary. Tolerance -1.5/+2% in each case.

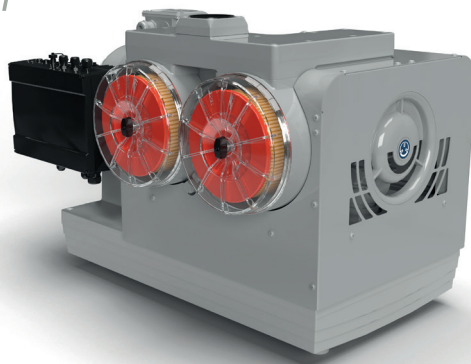


Suction air rate refers to the intake pressure  
 Reference data (atmosphere): 750 Torr, 68°F; Tolerance: ±10%

## **+** VARIANTS

- **BCV 300 PRO** with corrosion protection
- **VARIAIR BCV 300** with frequency inverter<sup>1)</sup>

**VARIAIR**  
UNIT



VARIAIR BCV 300

<sup>1)</sup> See separate data sheet



**MAKE IT BECKER.**