

DATA SHEET

DTLF 2.250 K ROTARY VANE COMPRESSORS

oil-free

air-cooled

MAKE IT BECKER.

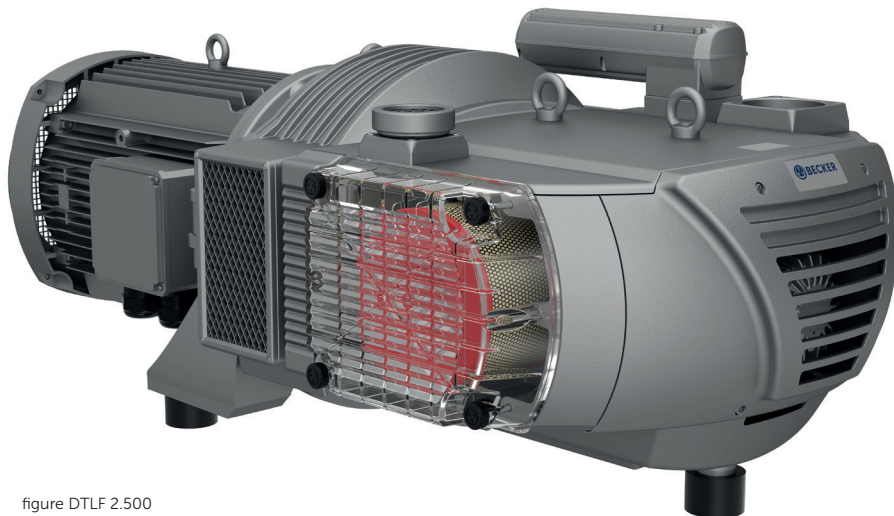
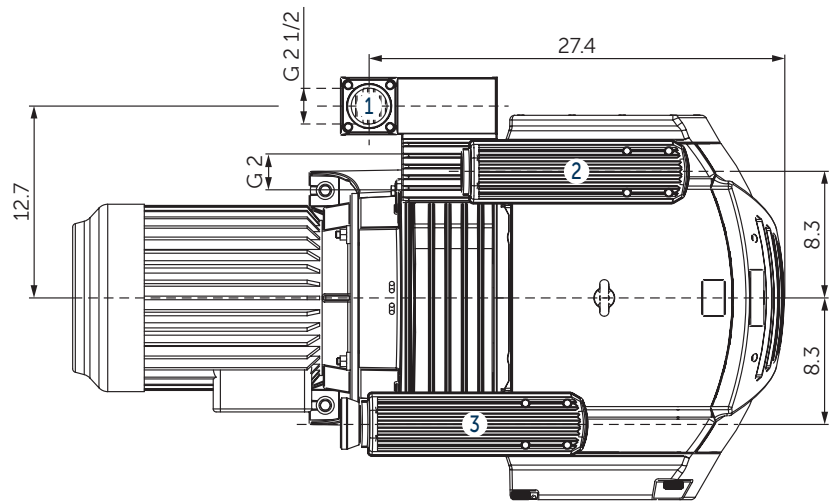
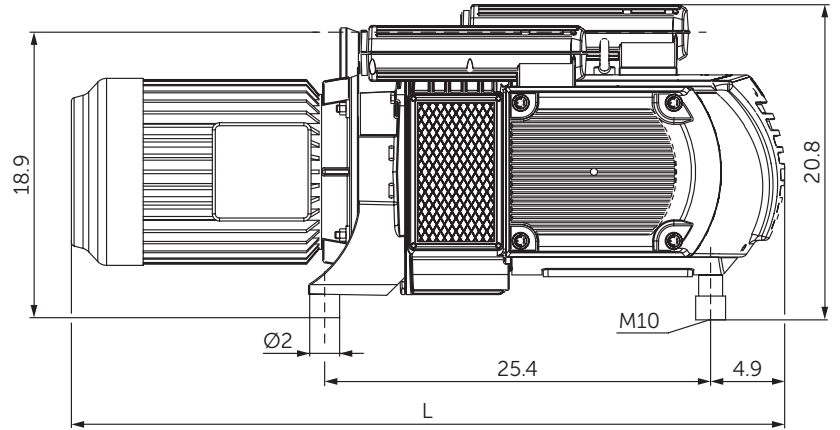
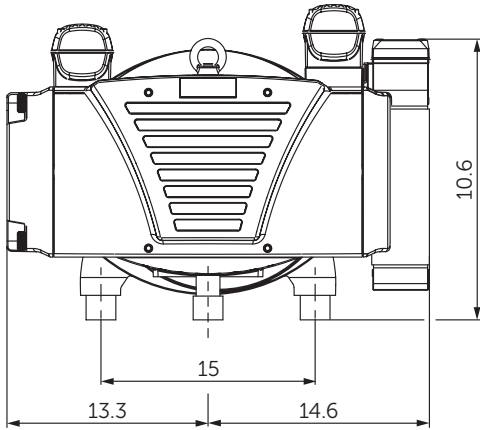


figure DTLF 2.500



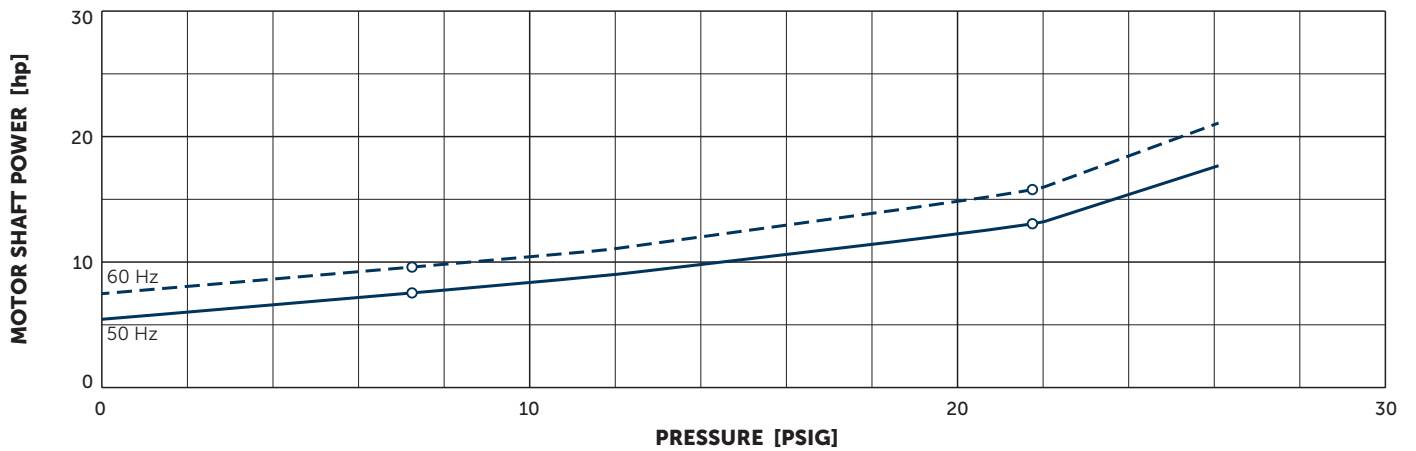
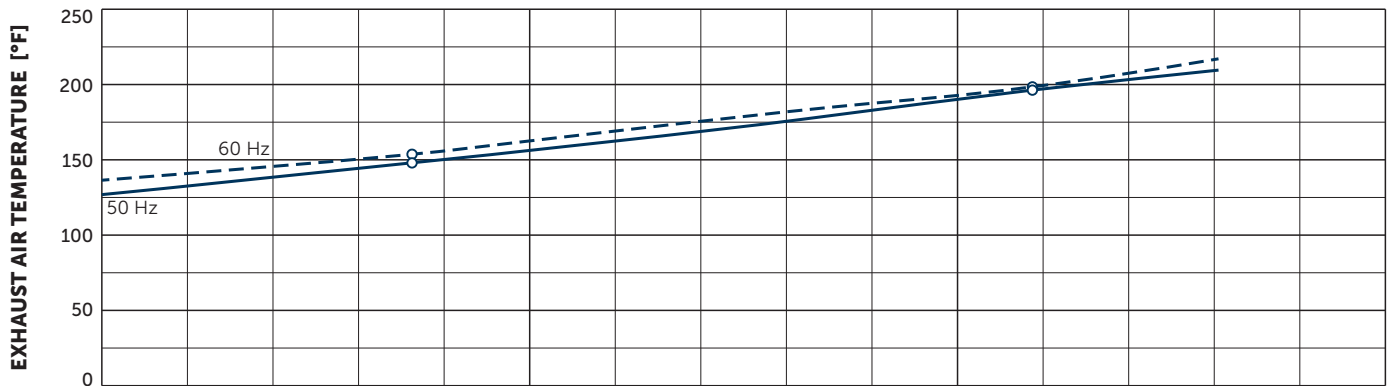
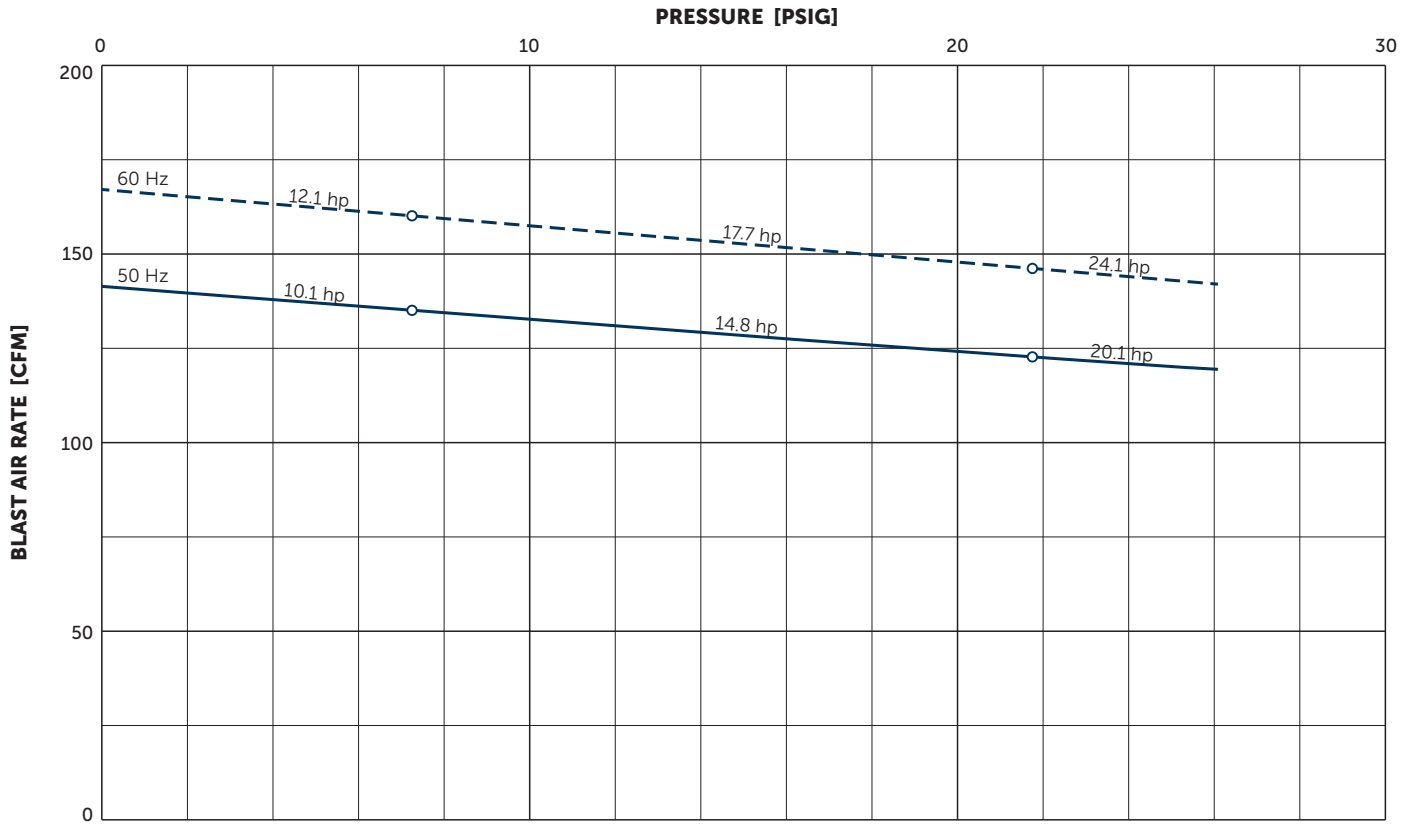
- 1 Pressure connection (G2½)
- 2 Pressure safety valve with silencer
- 3 Air nozzle with silencer
- Including integrated suction air filter, pressure side with cooler
- The motor illustration may vary
- Dimensions in inch

Blast air rate		Pressure		Motors		Emission sound pressure level ¹⁾		Weight w/o motor
CFM		PSIG		hp		dB(A)		lbs
50 Hz	60 Hz	50 Hz	60 Hz	50 Hz	60 Hz	50 Hz	60 Hz	
141	166	7.25	7.25	10.1	12.1	79	80	363.8
141	166	21.75	21.75	14.8	17.7	83	84	363.8
141	166	26.1	26.1	20.1	24.1	84	85	363.8

¹⁾ According to DIN EN ISO 11203, accuracy class of measurement: class 2, extended measurement uncertainty: 3 dB
39.4 inch distance, at medium load, both connection sides piped

3~ Motors												L	
#	50 Hz				60 Hz				Weight lbs	Version	inch		
	hp	V	rpm	A	hp	V	rpm	A					
01	10.1	Δ400/Y690	IE3	967	16.8/9.7	12.1	Δ460/Y795	IE3	1163	16.8/9.7	236.0	IP55 • ISO F • bimetal	46.3
							Δ400/Y690		1151	18.4/10.6			
02						12.1	YY230/Y460	IE3	1163	33.4/16.7	236.0	UL(E235514) • CSA CC329B	46.3
							YY208	–	1156	35.4		IP55 • ISO F • bimetal	
03	10.1	Δ200/Y350		965	37.1/21.4	12.1	Δ220/Y380–400	IE3	1165	35.3/20.4–20.1	224.9	IP55 • ISO F • bimetal	46.5
							Δ200/Y350		1162	36.4/21.0			
04						12.1	Δ400/Y690	IE3	1165	19.3/11.1	224.9	UL(E235514) • CSA CC329B	46.3
												IP55 • ISO F • bimetal	
05	14.8	Δ400	IE3	987	24.9	17.7	Δ460	IE3	1185	25.0	359.4	IP55 • ISO F • bimetal	51.2
							Δ400		1180	27.3			
06						17.7	YY230/Y460	IE3	1185	50.6/25.3	358.3	UL(E235514) • CSA CC329B	51.2
							YY208		1180	52.9		IP55 • ISO F • bimetal	
07	14.8	Δ200/Y350	IE3	985	45.9/26.5	17.7	Δ220/Y380–400	IE3	1185	49.0/28.3–27.2	359.4	UL(E235514) • CSA CC329B	50.9
							Δ200/Y350		1177	52.8/30.5		IP55 • ISO F • bimetal	
08						17.7	Δ400/Y690	IE3	1185	27.8/15.9	366.0	UL(E235514) • CSA CC329B	51.2
												IP55 • ISO F • bimetal	
09	20.1	Δ400	IE3	985	33.4	24.1	Δ460	IE3	1183	33.7	432.2	UL(E235514) • CSA CC329B	51.2
							Δ400		1175	37.2		IP55 • ISO F • bimetal	
10						24.1	YY230/Y460	IE3	1183	69.1/34.6	358.3	UL(E235514) • CSA CC329B	51.2
							YY208		1180	72.3		IP55 • ISO F • bimetal	
11	20.1	Δ200/Y350	IE3	987	68.6/39.6	24.1	Δ220/Y380–400	IE3	1185	69.7/40.2–39.6	359.4	UL(E235514) • CSA CC329B	51.2
							Δ200/Y350		1180	73.1/42.2		IP55 • ISO F • bimetal	
12						24.1	Δ400/Y690	IE3	1185	38.9/22.4	434.4	UL(E235514) • CSA CC329B	51.2
												IP55 • ISO F • bimetal	

▪ Current consumption and rotation speed may vary. Tolerance in each case -1.5/+2%



Reference data (atmosphere): 0 PSIG, 68°F
 Tolerance: ±5%



MAKE IT BECKER.