

DATA SHEET

KDT 3.100

ROTARY VANE COMPRESSORS

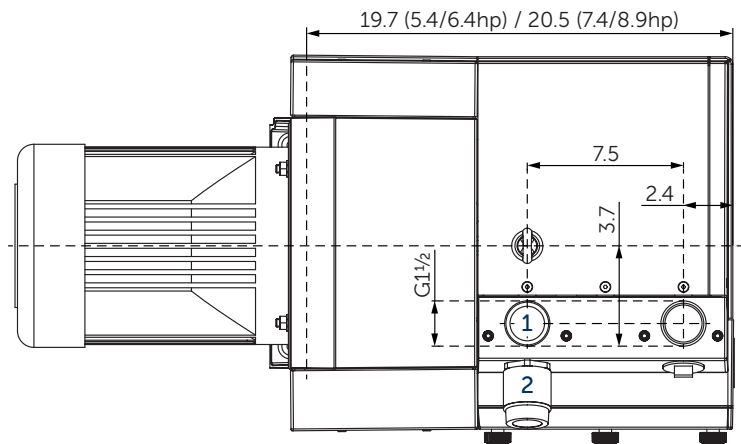
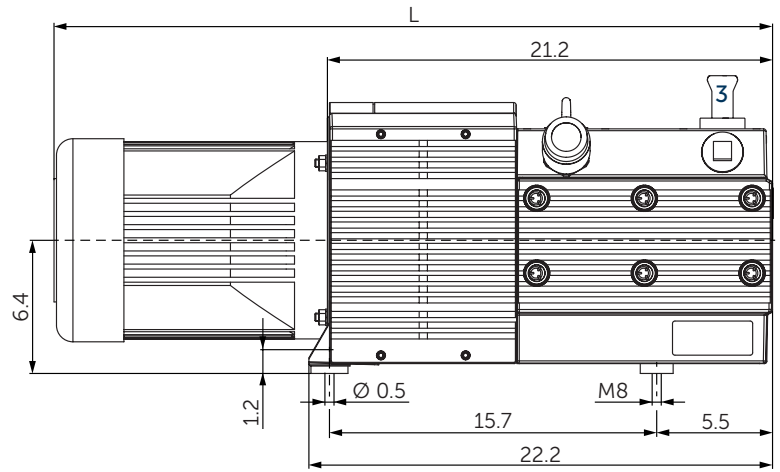
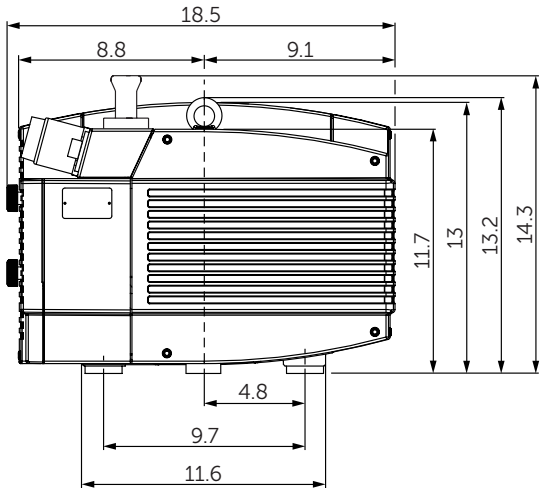
oil-free

air-cooled

MAKE IT BECKER.



figure KDT 3.60 / KDT 3.80



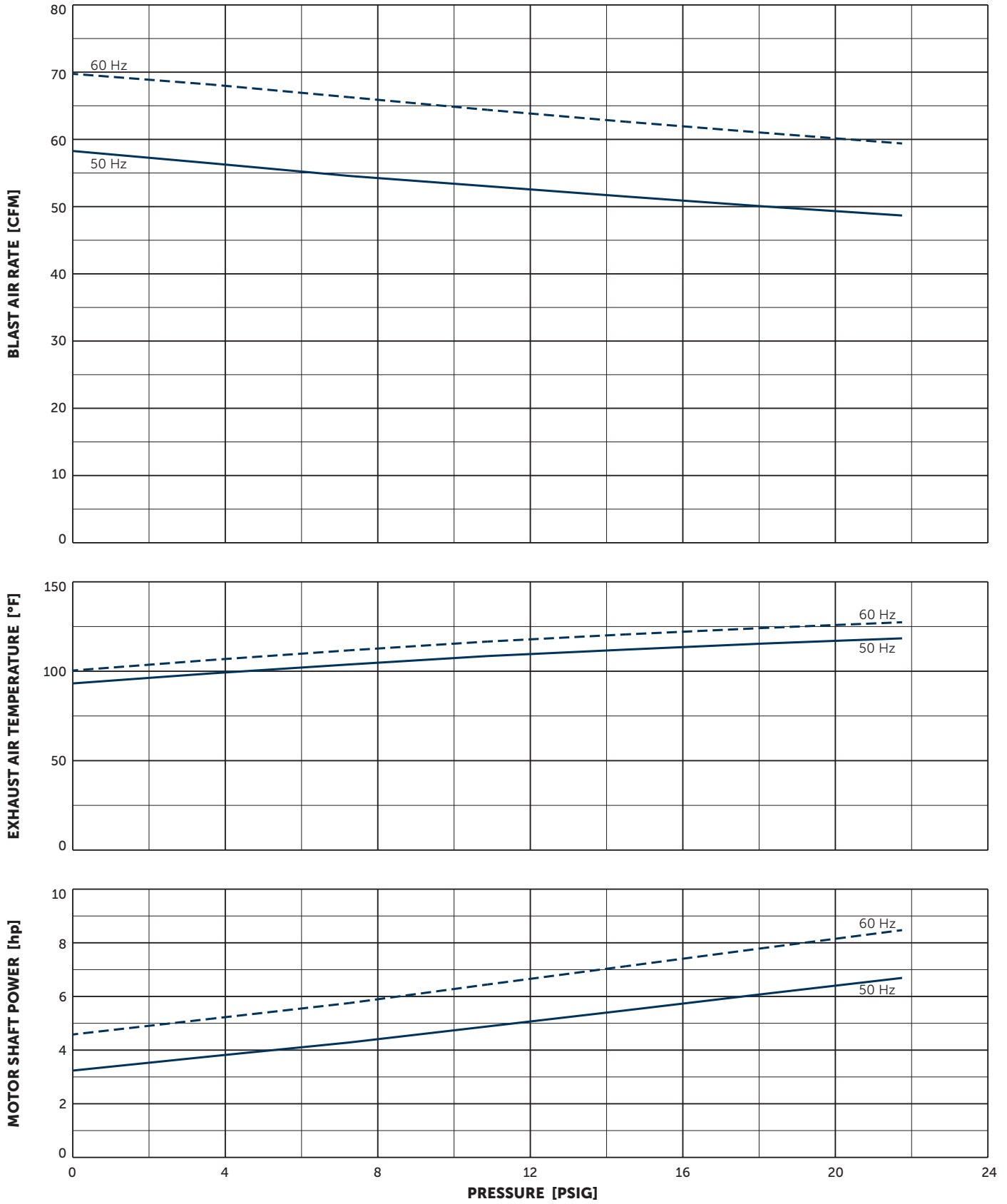
- 1 Pressure connection (G1 $\frac{1}{2}$)
- 2 Pressure regulating valve
- 3 Air nozzle
 - Including integrated suction air filter
 - The motor illustration may vary.
 - Dimensions in inch

Blast air rate		Pressure		Motors		Emission sound pressure level ¹⁾		Weight without motor
CFM		PSIG		hp		dB(A)		lbs
50 Hz	60 Hz	50 Hz	60 Hz	50 Hz	60 Hz	50 Hz	60 Hz	
58	69	7.25	7.25	5.4	6.4	75	77	157
58	69	14.5	14.5	7.4	8.9	76	78	157
58	69	21.75	21.75	7.4	8.9 (10.0)	76	78	157

¹⁾ According to DIN EN ISO 3744 (KpA = 3 dB(A)), 39.4 inch distance, at medium load, both connection sides piped

3~ Motors ¹⁾												L
#	50 Hz					60 Hz				Version	Weight lbs	inch
	hp	V	IE3	rpm	A	hp	V	rpm	A			
01	5.4	Δ230/Y400	IE3	1445	15.5/8.9	6.4	Δ265/Y460 Δ230/Y400	1745 1720	14.9/8.6 15.9/9.2	IP55 • ISO F • bimetal	75.0	32.6
02	5.4	Δ200/Y400	IE3	1465	18.0/9.0	6.0	YY230/Y460 YY208	IE3 1759 IE3 1753	18.4/9.2 18.7	UL(E235514) • CSA CC329B IP55 • ISO F • bimetal	88.2	33.9
03	5.4	Δ200/Y350	IE3	1467	20.3/11.7	6.0	Δ220/Y380–400 Δ200/Y350	IE3 1760 1753	18.5/10.7–10.2 19.0/11.0	UL(E235514) • CSA CC329B IP55 • ISO F • bimetal	88.2	33.9
04						6.0	Δ400/Y690	IE3 1763	9.8/5.65	UL(E235514) • CSA CC329B IP55 • ISO F • bimetal	88.2	33.9
05						6.4	Δ400/Y690	IE3 1775	10.75/6.2	UL(E365362) • CSA IP55 • ISO F • bimetal	142.2	38.0
06	7.4	Δ400	IE3	1470	12.3	8.9	Δ460 Δ400	IE3 1765 1750	12.0 12.4	IP55 • ISO F • bimetal	116.9	35.9
07						8.9	YY230/Y460 YY208	IE3 1768 1760	23.9/11.95 24.2	UL(E365362) • CSA IP55 • ISO F • bimetal	140.0	37.4
08	7.4		IE3	1465	21.5/12.4	8.9	Δ220/Y380–400 Δ200/Y350	IE3 1755 1740	22.5/13.0–12.7 24.1/13.9	UL(E365362) • CSA CC334B IP55 • ISO F • bimetal	140.0	37.4
09						8.9	Δ400/Y690	IE3 1760	12.5/7.2	UL(E365362) • CSA CC334B IP55 • ISO F • bimetal	140.0	37.4
10						10.0	YY230/Y460 YY208	IE3 1800 1745	25.2/12.6 27.9	UL • CSA • NEMA • ISO F	180.0	36.9

• Current consumption and rotation speed may vary. Tolerance in each case -1.5/+2%



Reference data (atmosphere): 0 PSIG, 68°F; Tolerance: ±5%

+ VARIANTS AND ACCESSORIES

- **KDT 3.100/0-52** for short-time operation with +2.0 bar¹⁾
- **VARIAIR KDT 3.100/0-400** with frequency inverter¹⁾
- Increased corrosion protection
- External suction filter¹⁾
- Sound proof box SH 13¹⁾



VARIAIR KDT 3.100/0-400



Example for an external suction filter



Sound proof box SH 13



MAKE IT BECKER.