

DATA SHEET

SV 1100/2

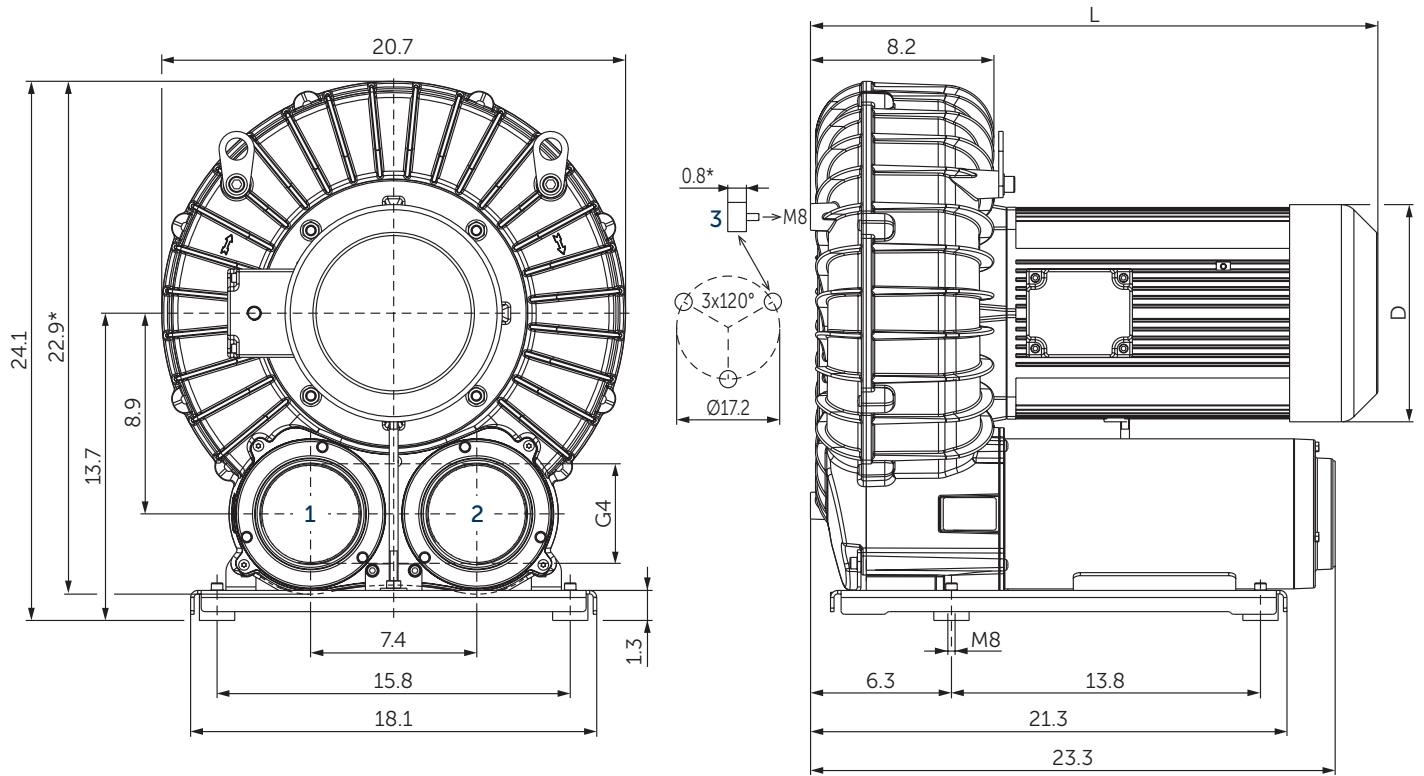
SIDE CHANNEL VACUUM PUMPS

double stage

air-cooled

MAKE IT BECKER.





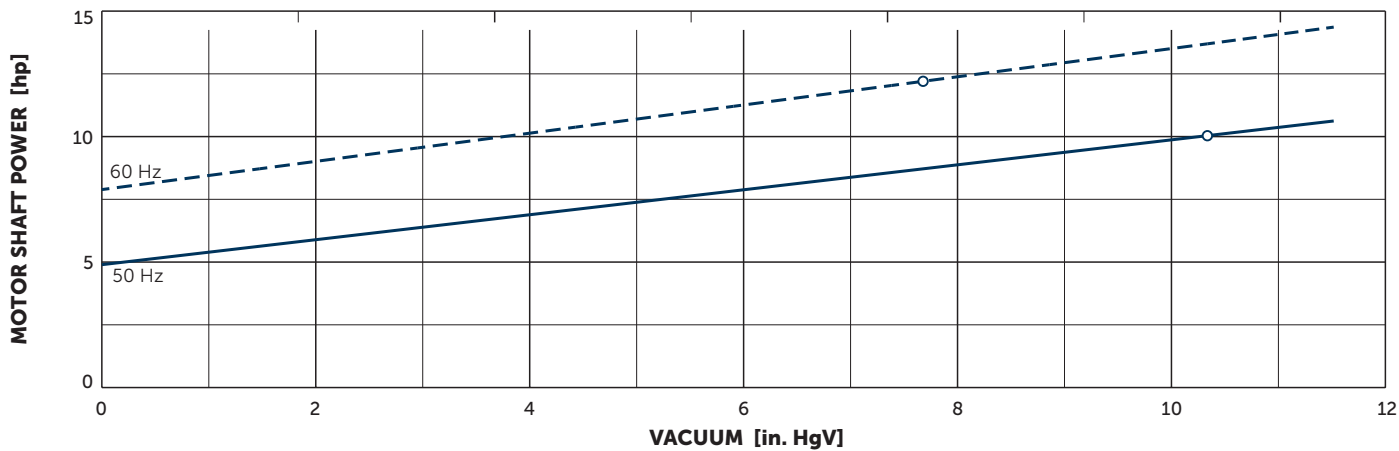
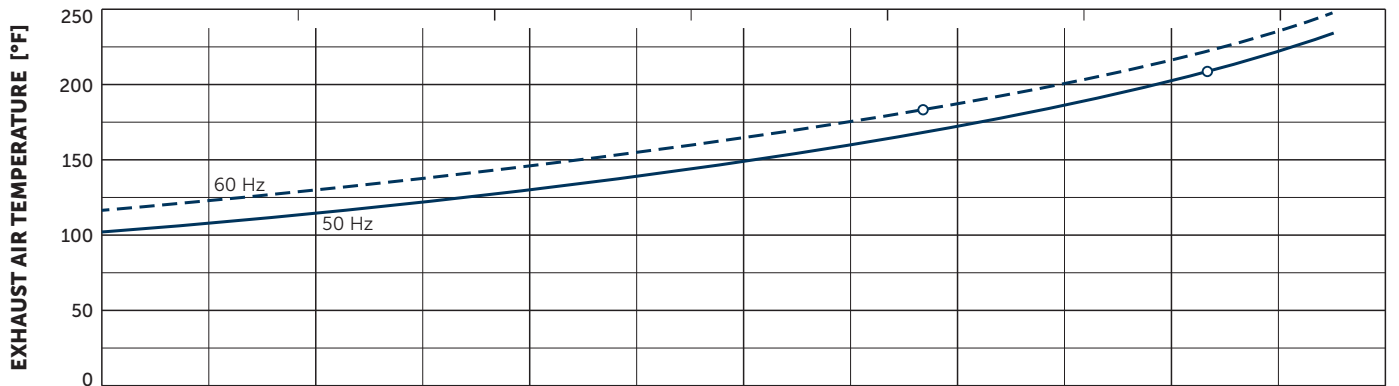
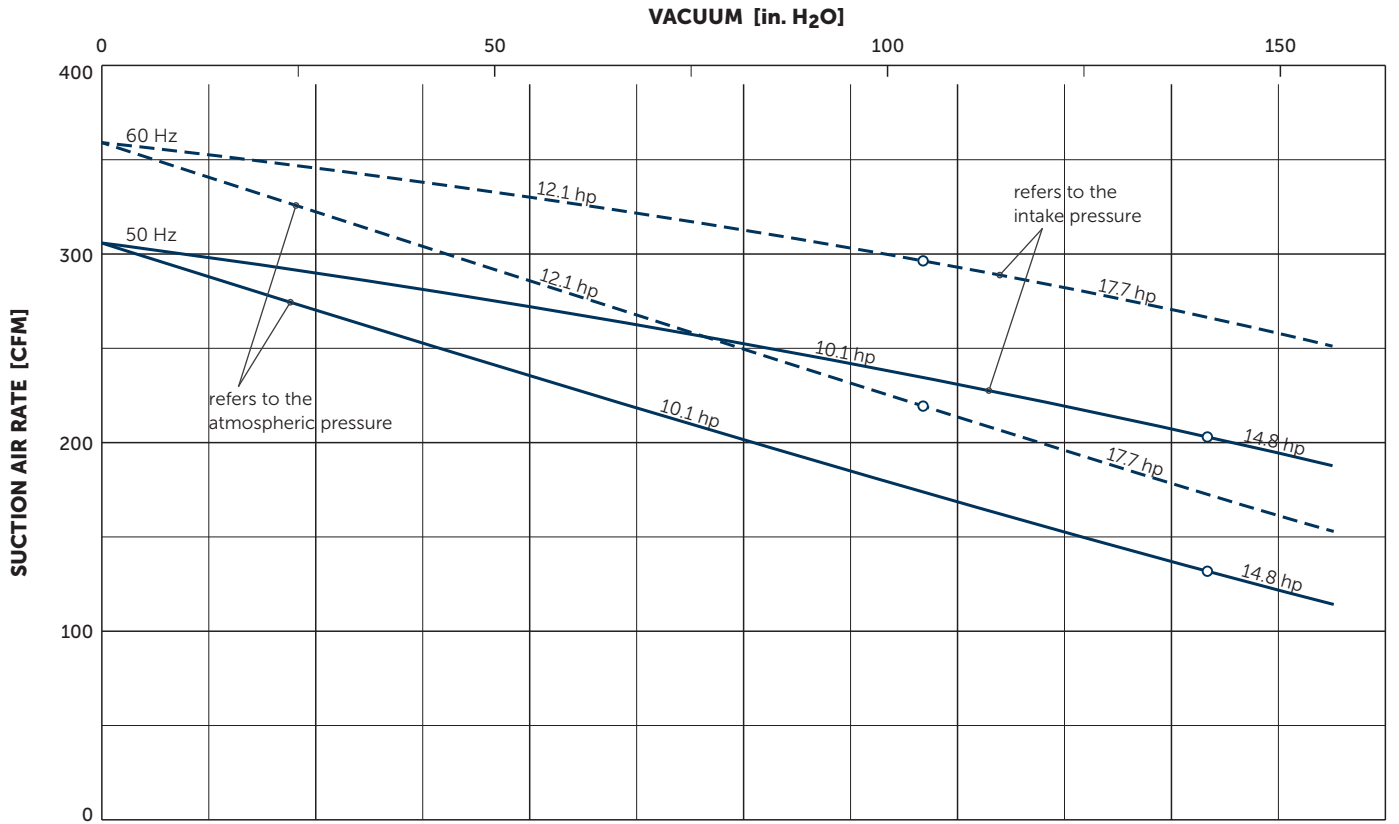
- 1 Vacuum connection (G4)
- 2 Pressure connection (G4)
- 3 Rubber buffer position (optional)
- * Device dimensions without pedestal under the silencer, with rubber buffers on the enclosure cover
- The motor illustration may vary
- Dimensions in inch

Suction air rate		Vacuum				Motors		Emission sound pressure level ¹⁾		Weight with motor	D	L
CFM		in. H ₂ O		in. HgV		hp		dB(A)		lbs	inch	inch
50 Hz	60 Hz	50 Hz	60 Hz	50 Hz	60 Hz	50 Hz	60 Hz	50 Hz	60 Hz			
306	359	140.7	104.5	10.3	7.6	10.1	12.1	72 (94.4 in. H ₂ O)	75 (70.3 in. H ₂ O)	260.2	9.7	24.5
306	359	156.7	156.7	11.5	11.5	14.8	17.7	74 (104.5 in. H ₂ O)	78 (104.5 in. H ₂ O)	275.6	9.7	25.3

¹⁾ According to DIN EN ISO 11203, accuracy class of measurement: class 2, extended measurement uncertainty: 3 dB
39.4 inch distance, at medium load, both connection sides piped

3~ Motors											
#	50 Hz					60 Hz					Version
	hp	V	IE3	rpm	A	hp	V	IE3	rpm	A	
01	10.1	Δ400	IE3	2910	13.5	12.1	Δ460	IE3	3500	13.9	UL • CSA IP55 • ISO F • bimetal
							Δ400		3450	16.1	
02						12.1	YY230/Y460	IE3	3505	27.8/13.9	UL • CSA IP55 • ISO F • bimetal
							YY208		3475	30.7	
03	10.1	Δ200/Y350	IE3	2920	27.0/15.6	12.1	Δ220/Y380-400	IE3	3500	29.1/16.8	IP55 • ISO F • bimetal
							Δ200/Y350		3465	31.7/18.3	
04	14.8	Δ400	IE3	2930	21.8	17.7	Δ460	IE3	3525	21.9	UL • CSA IP55 • ISO F • bimetal
							Δ400		3490	23.7	
05						17.7	YY230/Y460	IE3	3530	44.8/22.4	UL • CSA IP55 • ISO F • bimetal
							YY208		3505	46.5	
06	14.8	Δ200/Y350	IE3	2920	41.4/23.9	17.7	Δ220/Y380-400	IE3	3510	43.3/25.0	IP55 • ISO F • bimetal
							Δ200/Y350		3465	46.8/27.0	

- Current consumption and rotation speed may vary. Tolerance in each case -1.5/+2%

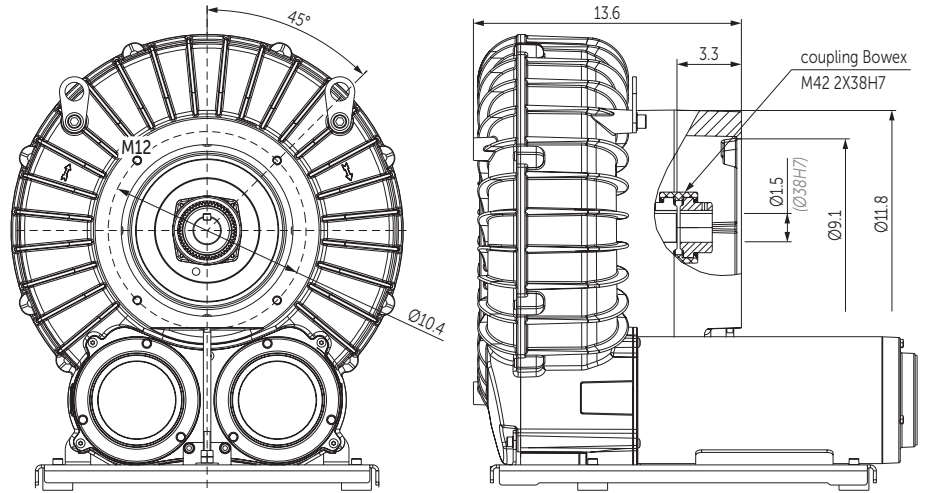


Reference data (atmosphere): 0 in. HgV, 68°F; Tolerance: ±10%
 Temperature: Ambient air 14°F ... 104°F, Inlet air 32°F ... 104°F

+ VARIANTS AND ACCESSORIES

WITHOUT MOTOR

- With coupling for flange motor
- Standard DIN EN 50347
- Flange size FF265
- Shaft end $\varnothing \approx 1.5 \times 3.2$ inch
- Max. size BG160
- The motor must be supported!



OTHER VARIANTS AND ACCESSORIES

- External suction filter¹⁾
- External vacuum safety valve
- With increased corrosion protection



Example for an external suction filter

¹⁾ See separate data sheet

- Dimensions in inch – For other dimensions, see the figure on page 2.
- Possible combinations on request



MAKE IT BECKER.