

DATA SHEET

# VARIAIR SV 300/2

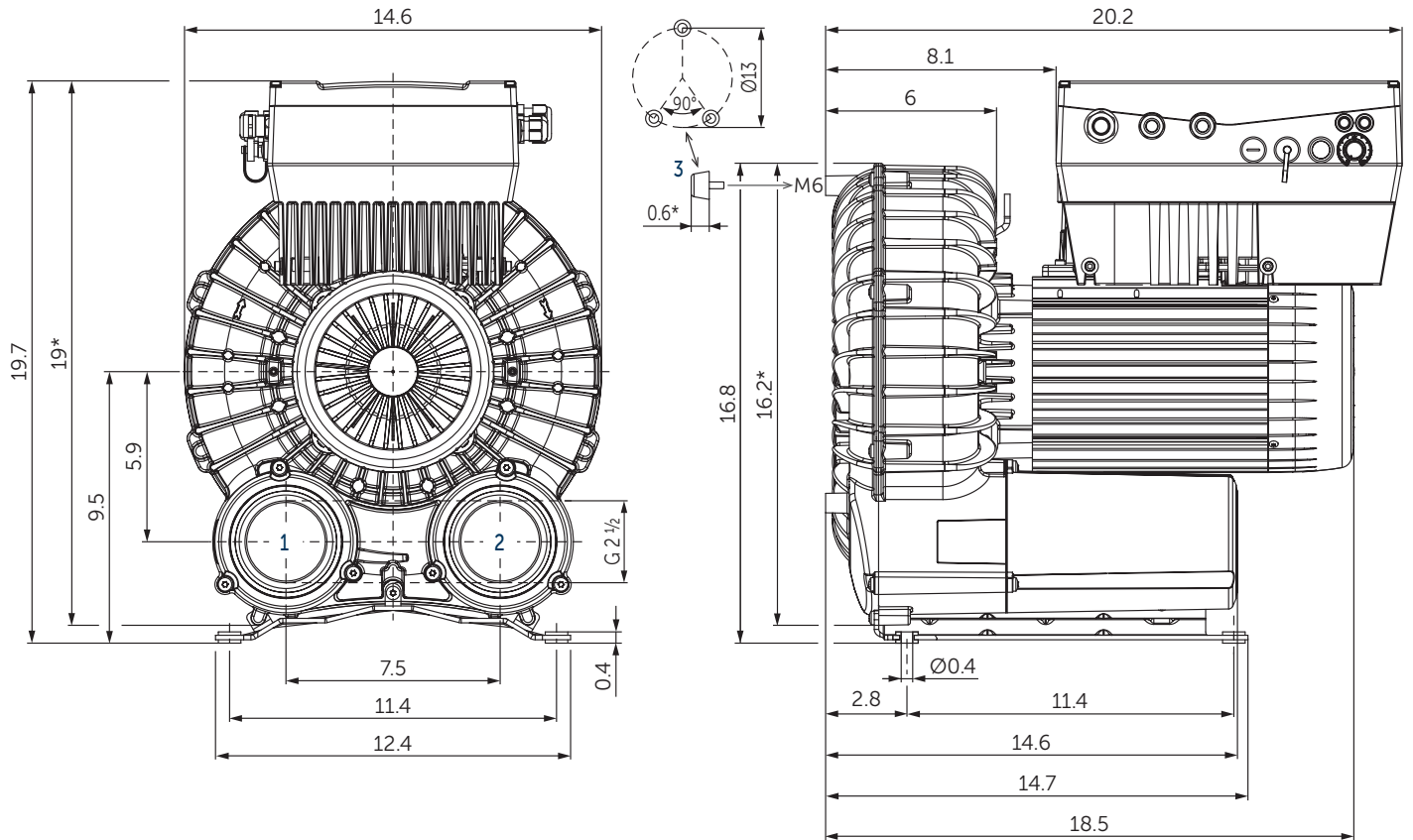
## SIDE CHANNEL BLOWERS

double stage, air-cooled  
frequency inverter

---

**MAKE IT BECKER.**

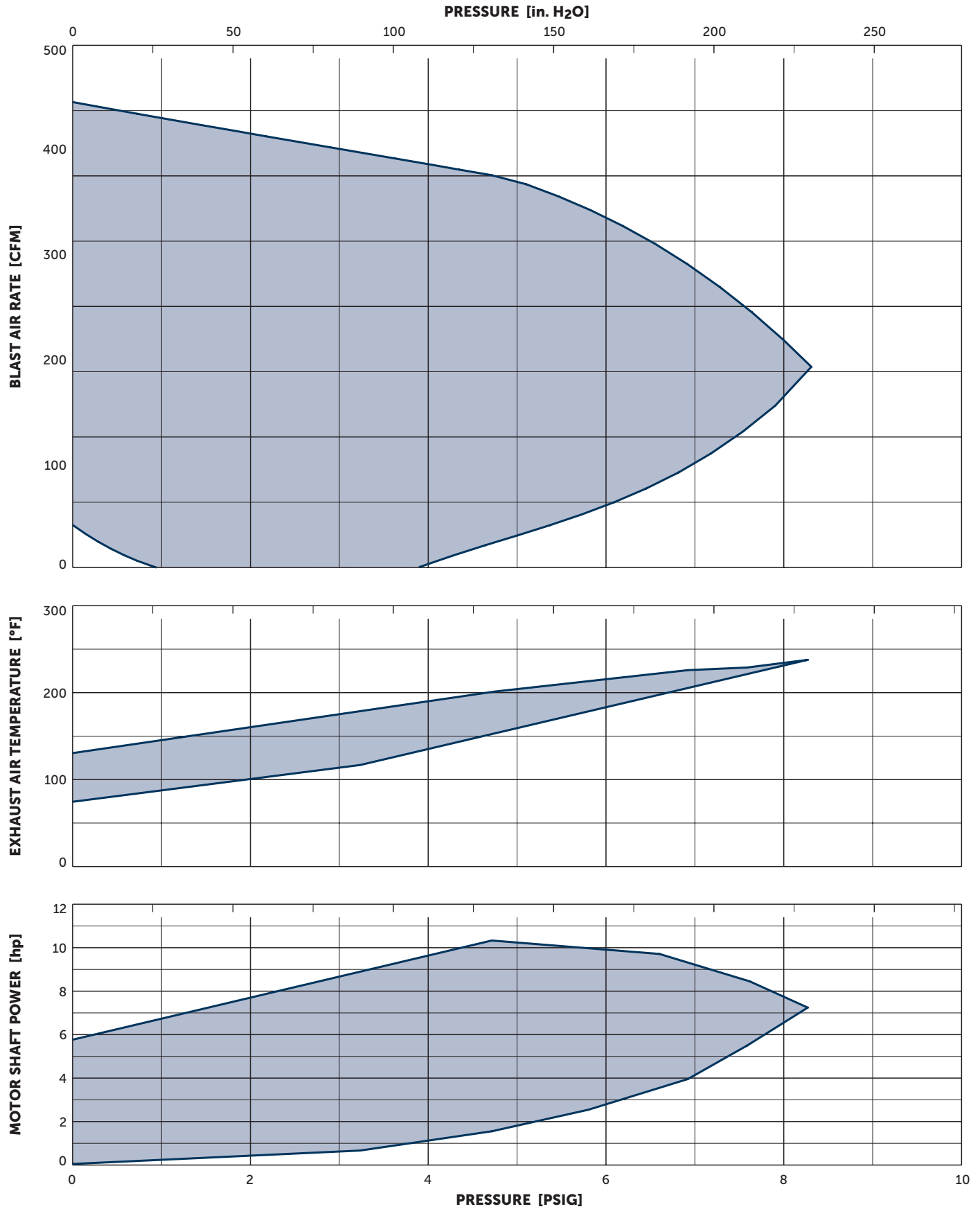




- 1 Vacuum connection (G2½)
- 2 Pressure connection (G2½)
- 3 Rubber buffer position (optional)
- \* Device dimensions without pedestal (optional) under the silencer
- Dimensions in inch

Blast air rate	Pressure		Frequency	Emission sound pressure level <sup>1)</sup>	Weight		
	CFM	in. H <sub>2</sub> O					
max.	max.	max.		@ 152.7 in. H <sub>2</sub> O (67 Hz)		Frequency inverter VAU7.5/3	max.
176	229.1	8.2	10–100	72.0	109.5	10.1 hp 400–480 V ±10% 50/60 Hz	20

<sup>1)</sup> According to DIN EN ISO 11203, accuracy class of measurement: class 2, extended measurement uncertainty: 3 dB  
39.4 inch distance, at medium load, both connection sides piped



Reference data (atmosphere): 0 in. HgV, 68°F; Tolerance: ±10%; Max. ambient temperature: 14°F ... 104°F



**MAKE IT BECKER.**

