

DATA SHEET

# VARIAIR SV 500/1

## SIDE CHANNEL BLOWERS

single stage, air-cooled  
frequency inverter

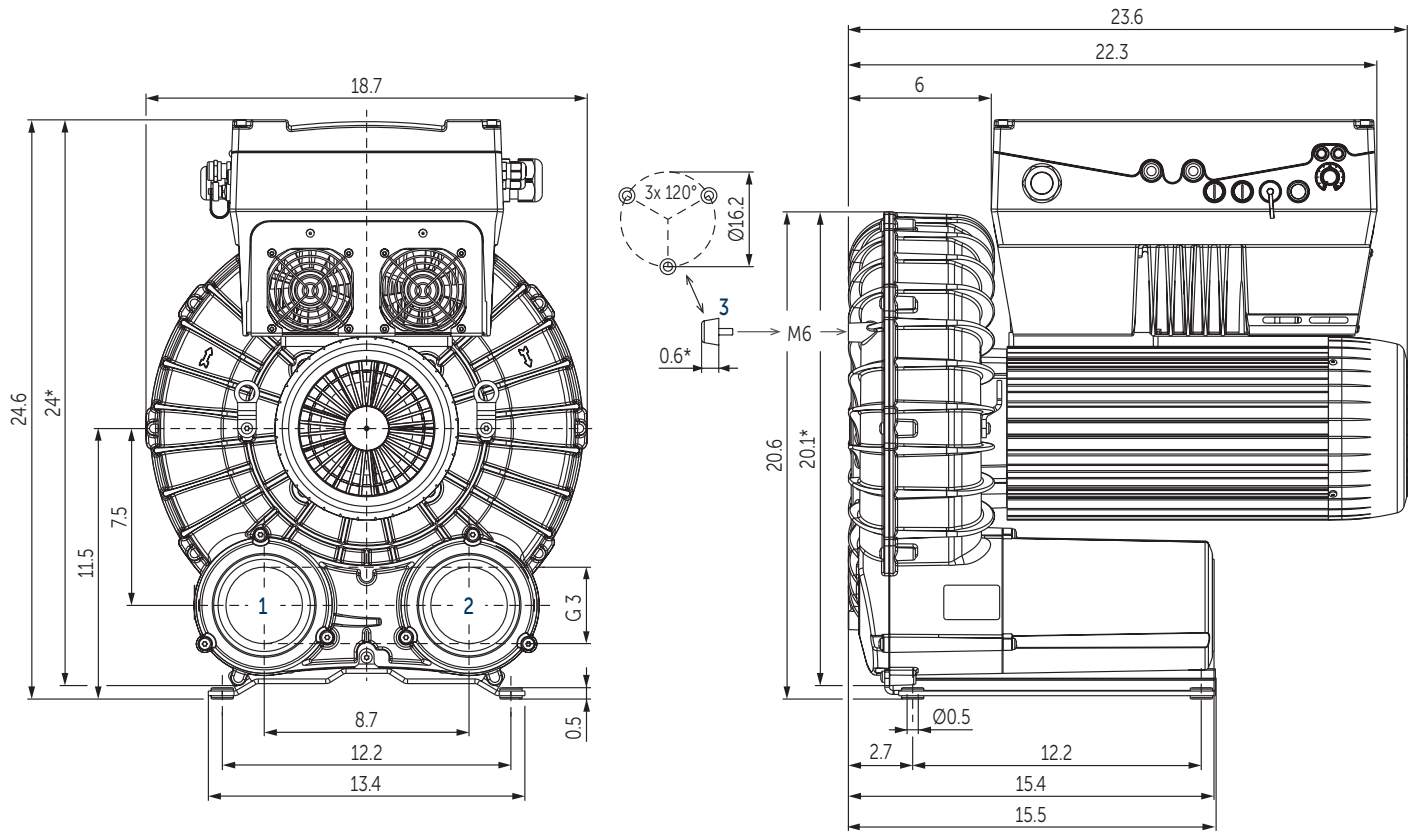
---

**MAKE IT BECKER.**

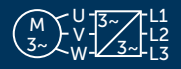



**VARIAIR**  
UNIT

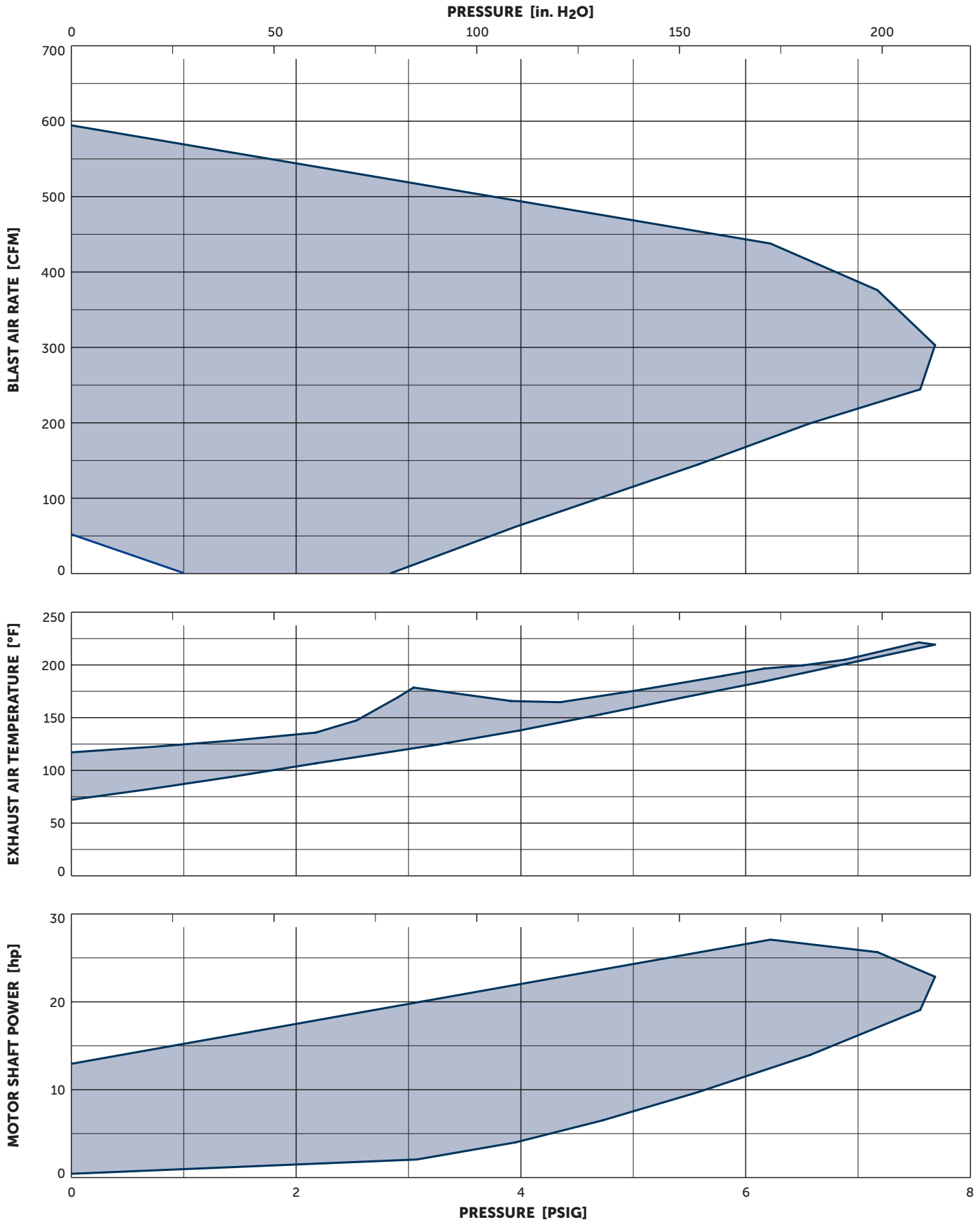
 **BECKER**



- 1 Vacuum connection (G 3)
- 2 Pressure connection (G 3)
- 3 Rubber buffer position (optional)
- \* Device dimensions without pedestal (optional) under the silencer
- Dimensions in inch

| Blast air rate | Pressure |                           | Frequency | Emission sound pressure level <sup>1)</sup>  | Weight |  |  |
|----------------|----------|---------------------------|-----------|--|--------|---|---|
|                | CFM max. | in. H <sub>2</sub> O max. |           |  |        |   |   |
| 588            | 213.1    | 7.7                       | 10–100    | 80.9<br>@ 133.8 in. H <sub>2</sub> O (67 Hz) | 214.9  | 14.8–29.5<br>400–480 V ±10%<br>50/60 Hz   | 35  |

<sup>1)</sup> According to DIN EN ISO 11203, accuracy class of measurement: class 2, extended measurement uncertainty: 3 dB  
39.4 inch distance, at medium load, both connection sides piped



Reference data (atmosphere): 0 PSIG, 68°F; Tolerance: ±10%  
 Temperature: Ambient air 14°F ... 104°F, Inlet air 32°F ... 104°F



**MAKE IT BECKER.**