

DATA SHEET

VASF 2.120/1-0.ACXXX BASIC SIDE CHANNEL BLOWERS

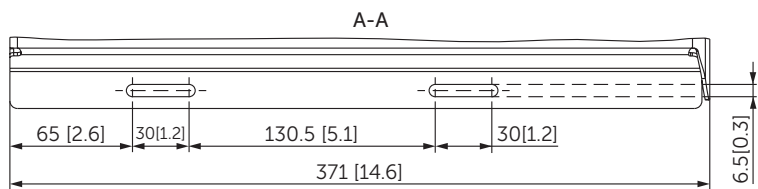
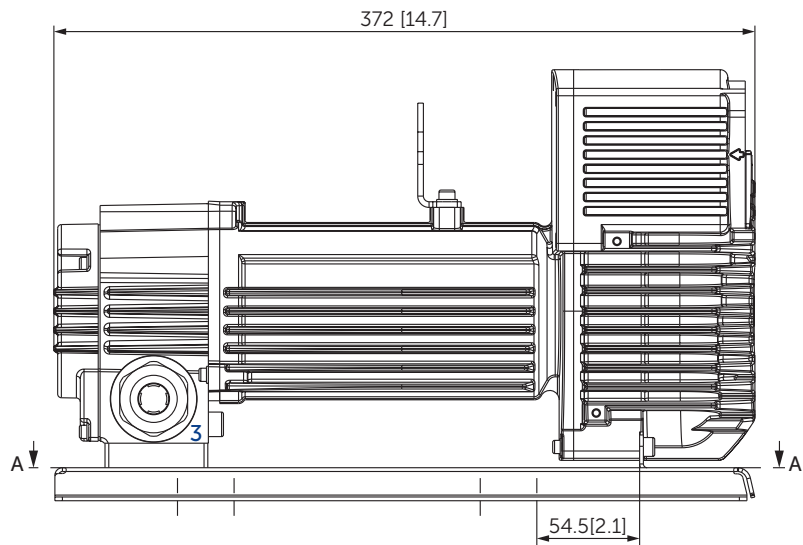
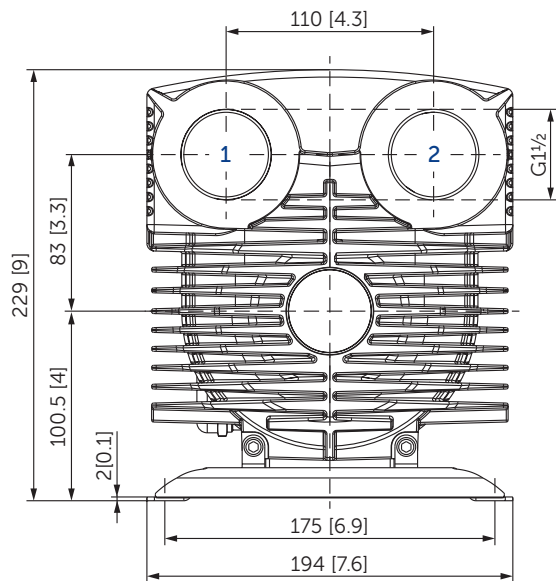
single stage, air-cooled
frequency inverter

MAKE IT BECKER.



figure VASF 2.80

TYPE 1 – STANDARD



- 1 Vacuum connection (G 1½)
- 2 Pressure connection (G 1½)
- 3 SKINTOP MS-SC-M32x1.5 EMV
clamping range Ø 11–22 mm [0.4–0.9 inch]
- Dimensions in mm [inch]

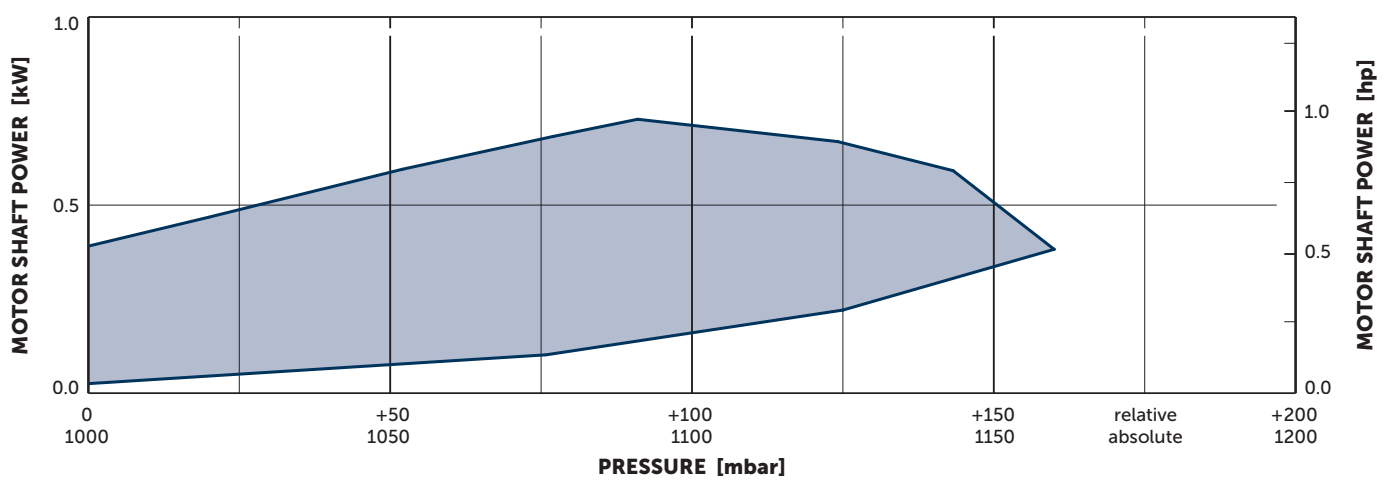
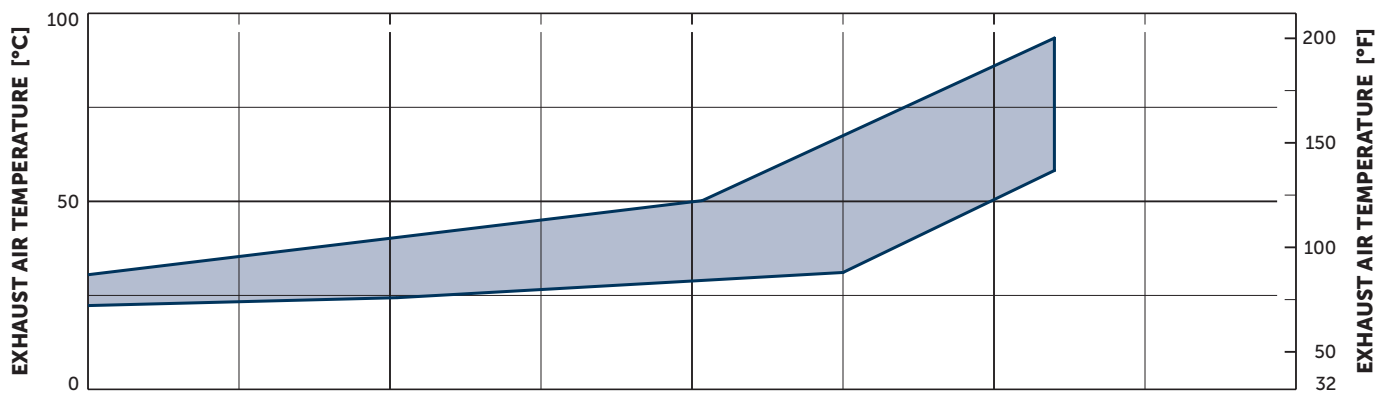
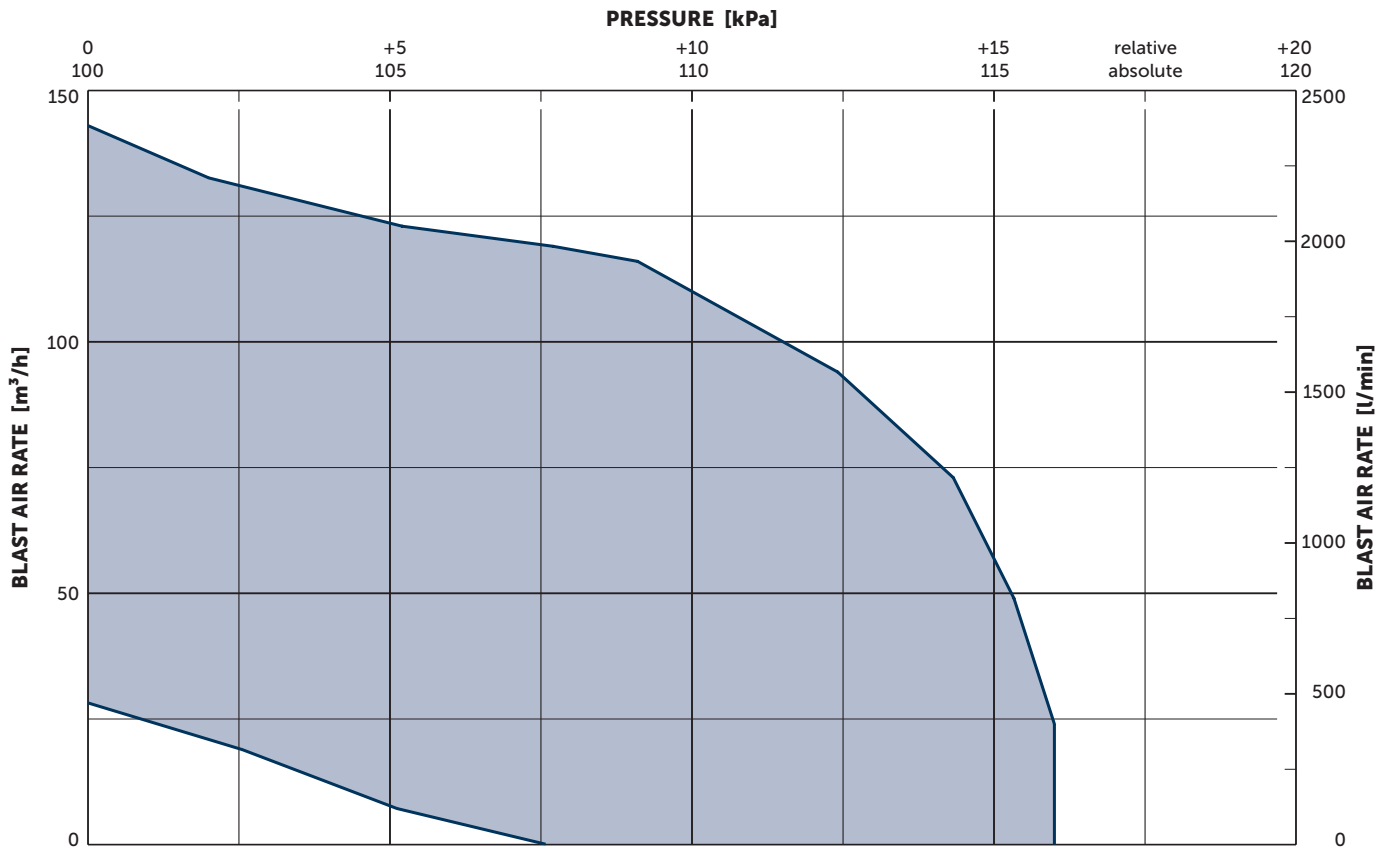
VASF 2.120/1	Blast air rate		Pressure relative		Frequency	Emission sound pressure level ¹⁾	Weight				
	m ³ /h	max.	mbar	kPa			Hz	dB(A)	Type 1		
-0.AC230 BASIC	143		+160	+16	50–200	63 ²⁾ / 84 ³⁾	13.0	13.6	14.6	0.85 kW AC 1~ 200 V -10% ... 230 V +10% 50/60 Hz	10
-0.AC115 BASIC	143		+160	+16	50–200	63 ²⁾ / 84 ³⁾	13.0	13.6	14.6	0.83 kW AC 1~ 100 V -10% ... 115 V +10% 50/60 Hz	10

¹⁾ According to DIN EN ISO 11203. accuracy class of measurement: class 2, extended measurement uncertainty: 3 dB, 1 m [39.4 inch] distance

²⁾ With silencers, both sides piped (pressure and vacuum)

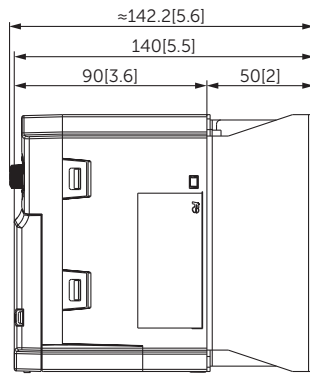
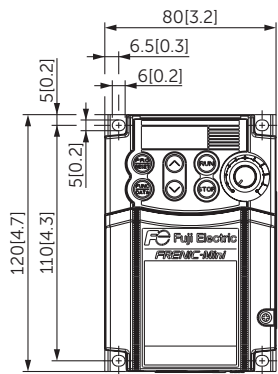
³⁾ Without silencers, consumer side piped (pressure), other side open (vacuum)

- Frequency inverters including mains filter; for more information about the frequency inverters, see the instructions



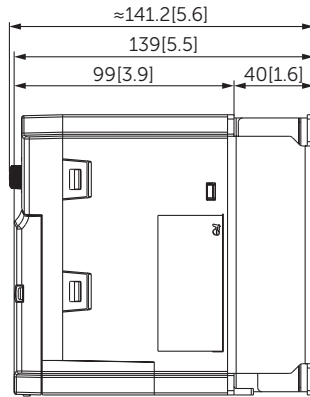
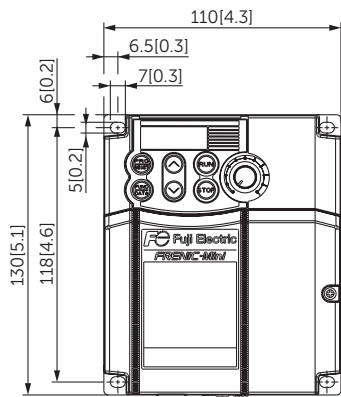
Reference data (atmosphere): 1000 mbar (100 kPa), 20°C (68°F)
 Tolerance: ±10%
 Max. ambient temperature: ≤ 45°C (≤ 113°F)

FREQUENCY INVERTER AC 230 V



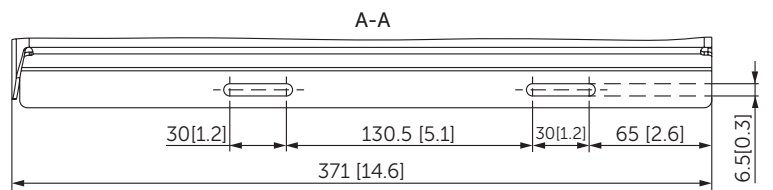
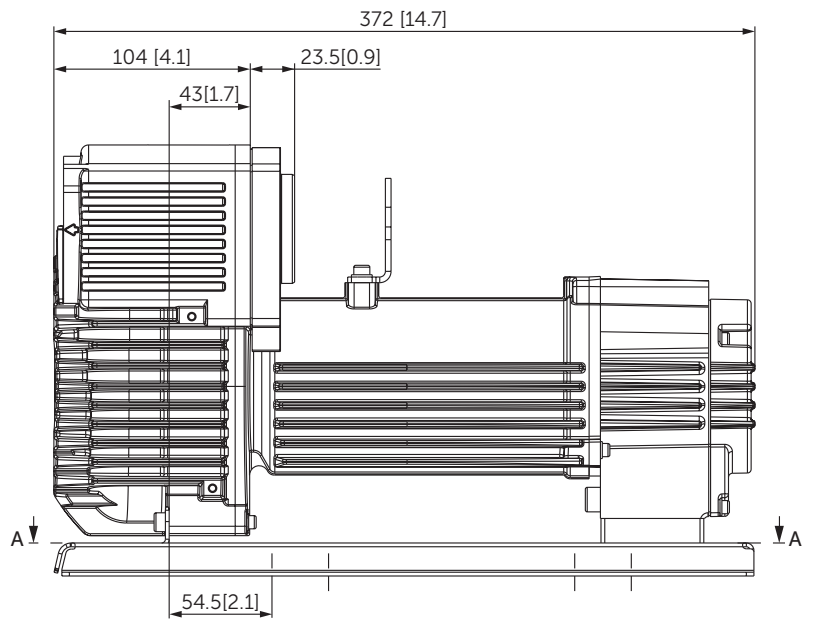
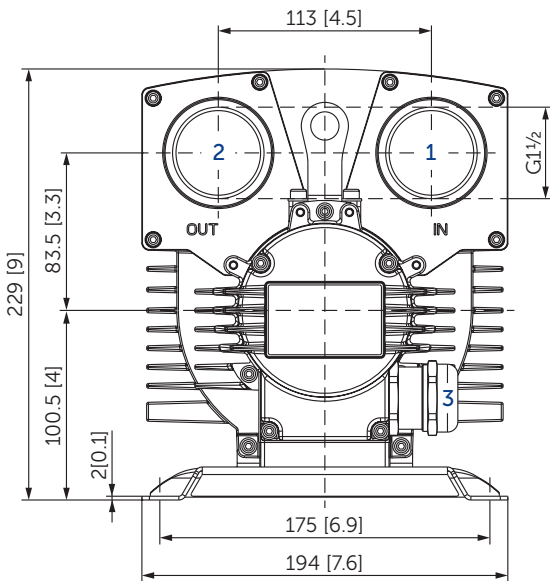
kg	
AC 230 V	AC 115 V
0.9	1.3

FREQUENCY INVERTER AC 115 V

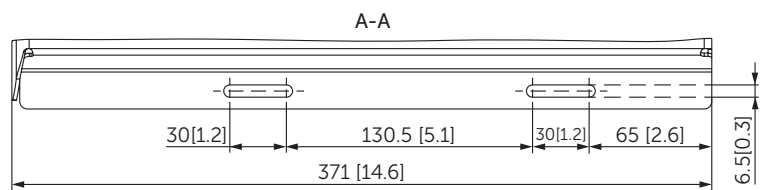
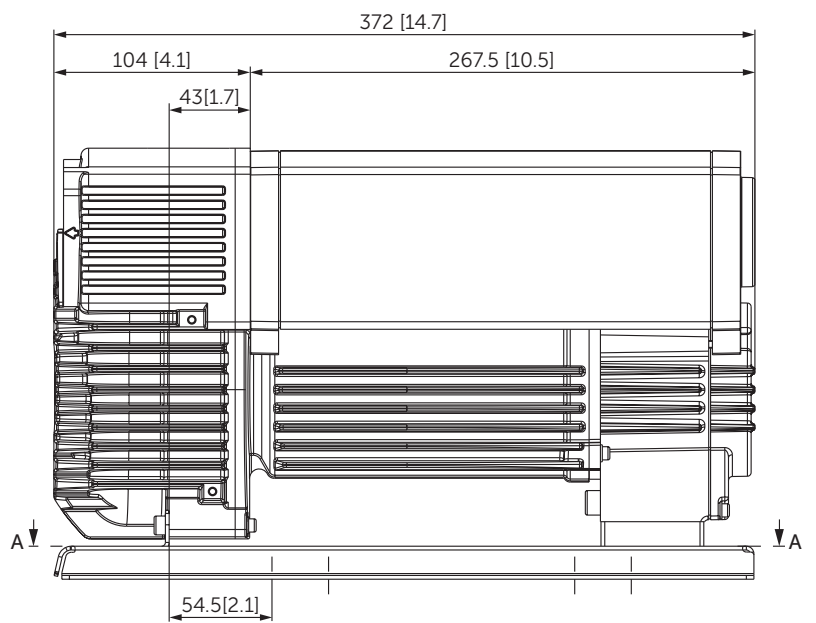
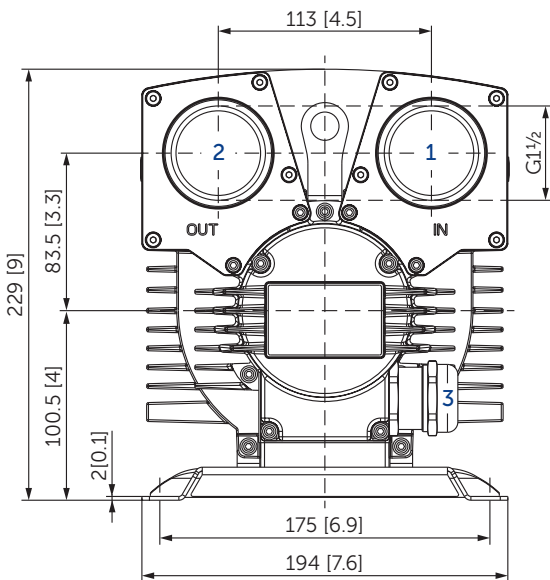


+ VARIANTS AND ACCESSORIES

TYPE 2 – REAR CONNECTIONS



TYPE 3 – WITH SILENCERS



CABLE

WN211-267 (NO. 74202670000)

- 1 Vacuum connection (G 1½)
- 2 Pressure connection (G 1½)
- 3 SKINTOP MS-SC-M32x1.5 EMV, clamping range Ø 11–22 mm [0.4–0.9 inch]
- Dimensions in mm [inch]



MAKE IT BECKER.