


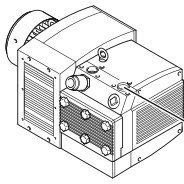







BETRIEBSANLEITUNG
OPERATING INSTRUCTIONS
INSTRUCTIONS DE SERVICE
ISTRUZIONI D'USO
HANDLEIDING
INSTRUCCIONES PARA EL MANEJO
MANUAL DE INSTRUÇÕES
NAUDOJIMOSI INSTRUKCIJA
KASUTUSJUHEND
LIETOŠANAS INSTRUKCIJA
DRIFTSINSTRUKS
DRIFTSINSTRUKTIONER
DRIFTSVEJLEDNING
INSTRUKCJA OBSŁUGI

KEZELÉSI ÚTMUTATÓ
NÁVOD K OBSLUZE
NAVODILO ZA UPORABO
NÁVOD NA OBSLUHU
UPUTE ZA RAD
MANUAL DE OPERATII
TREORACHA OIBRIÚCHÁIN
ΟΔΗΓΙΕΣ ΧΡΗΣΗΣ
EL KITABI
ИНСТРУКЦИИ ЗА ЕКСПЛОАТАЦИЯ
ИНСТРУКЦИЯ ПО ЕКСПЛУАТАЦИИ
取扱説明書
사용설명서
使用说明书



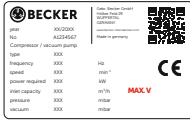
KDT 3.140


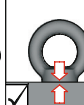


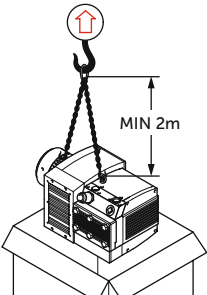
MAKE IT BECKER.





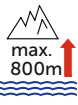
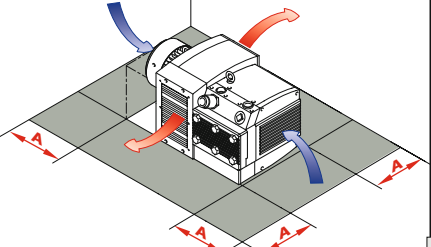
 		
		
 <p><input checked="" type="checkbox"/> AIR</p>		
		

1


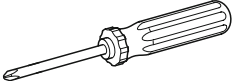

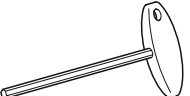

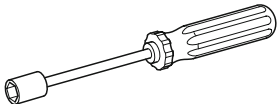
<p>MAX. PRESSURE</p>		<p>mbar</p>
	 <p>MAX.</p>	
<p>L_{pA})))</p> <p>DIN EN ISO 11203 Accuracy Class 2 K_{son} = 3 dB(A) l ← 1m</p>	<p>L_{pA} = 82 dB(A) - 50Hz L_{pA} = 84 dB(A) - 60Hz</p>	<p>2</p>

			 <p>136-140 kg 300-309 lbs</p>
			

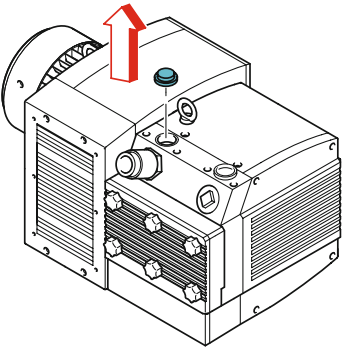
3

<p>A > 100mm A > 4"</p>	 <p>> 5°C/41°F < 45°C/113°F</p>	 <p>max. 90%</p>	 <p>max. 800m</p>
			

4

 <p>No. 2</p>	
 <p>5 mm</p>	
 <p>7 mm 10 mm</p>	

5



6

MOTOR-PROTECTION
=

(CF LXX)	
50Hz	60Hz
XXX / XXX V	XXX / XXX V
XXX / XXX A	XXX / XXX A

SERVICE FACTOR
X
RATED CURRENT

7

GENERAL

1) motor protection switch

ADDITIONAL $M \geq 5.5 \text{ kW}$

RECOMMENDATION

A
Softstart

B

ON (I) -

OFF (0) -

MAX 10x/h

OPTIONAL

PTC

Bi-metal

8

9

10

PRESSURE

0 2 10 [m]

11

BECKER

year: XXX/XXX

no.: A1234567

Compressor / vacuum pump

type: XXX

frequency: XXX Hz

speed: XXX rpm

power required: XXX kW

inlet capacity: XXX m³/h

pressure: XXX mbar

vacuum: XXX mbar

CE

12

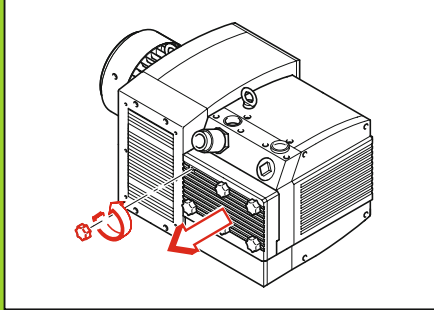
Maintenance



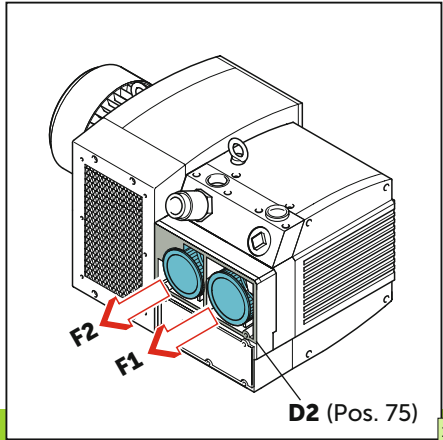
13

14

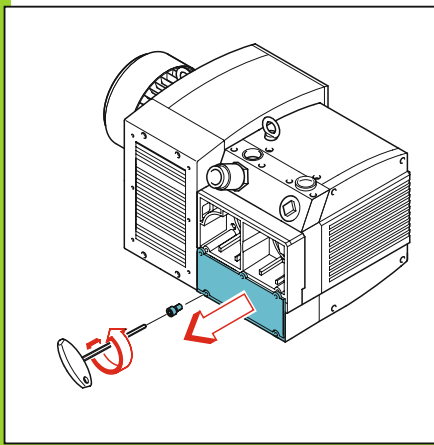
<p>CLEANING INTERVAL</p>	<p>SUCTION AIR</p>	<p>40h ↕ 200h</p>	<p>EN149 - FFP3 42 CFR 84 - N100</p>
---------------------------------	--------------------	---------------------------	------------------------------------------



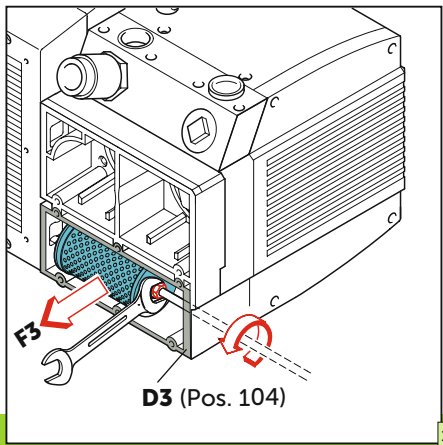
15



16



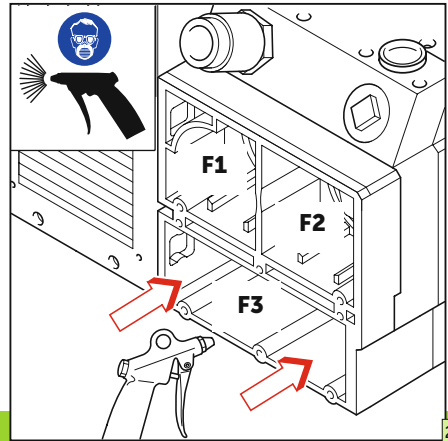
17



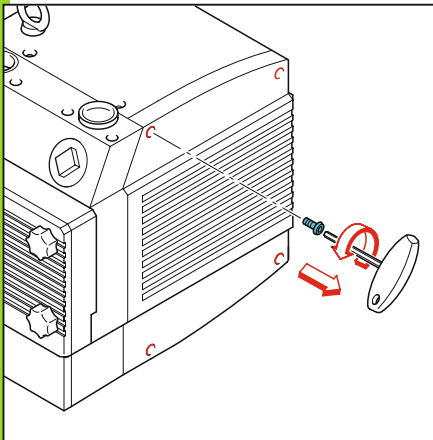
18

F1 = F2 (standard)	F2* (polyester) KDT 3.140/6	F3 (standard)
No.: 909507	No.: 909587	No.: 909514
	Satz / Kit Pos.: 17, 20, 24, 62, 75, 76, 85, 86, 104, 122, 125, 126, 146 No.: 549000 21300	

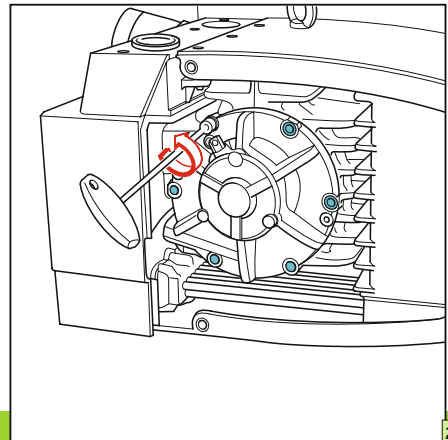
19



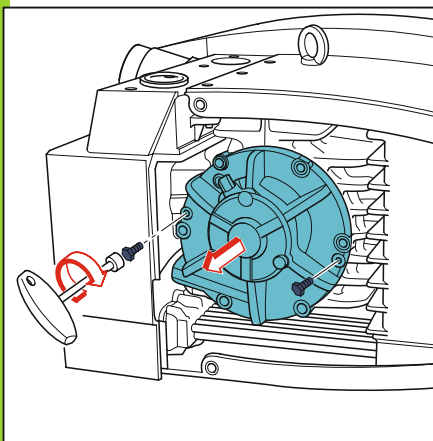
20



21



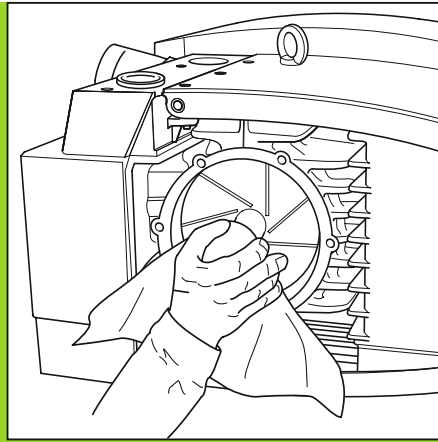
22



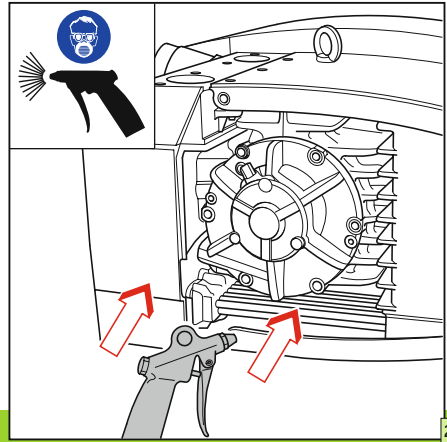
23

3000 h	
	$A_{MAX} = 48mm$ $A_{MIN} = 31mm$
	$A_{spr} < 31mm$
KDT 3.140 (standard) → No. 90133400004 (SET) KDT 3.140/0-52 → No. 90138100004 (SET) KDT 3.140/6 → " " " KDT 3.140/6-29 → No. 90138100007 (SET) KDT 3.140/6-71 → " " " KDT 3.140/6-71 HD → No. 90138500007 (SET)	

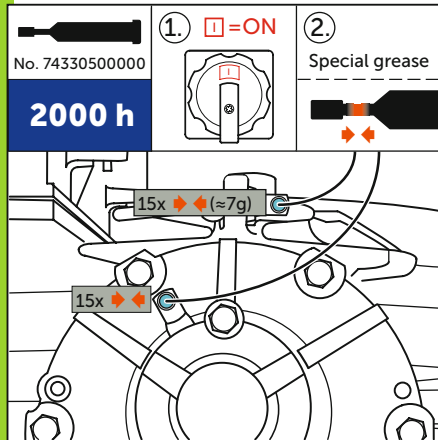
24



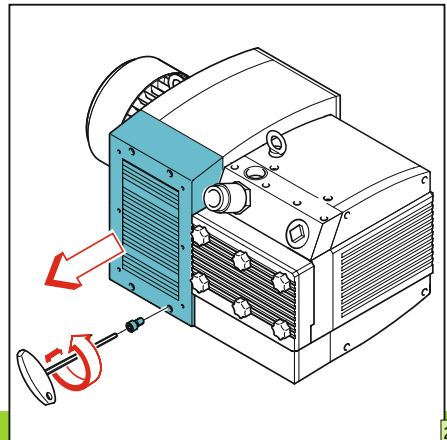
25



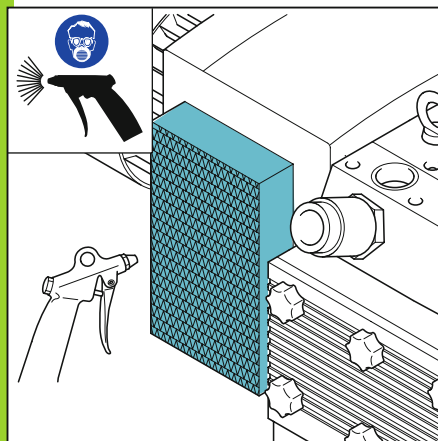
26



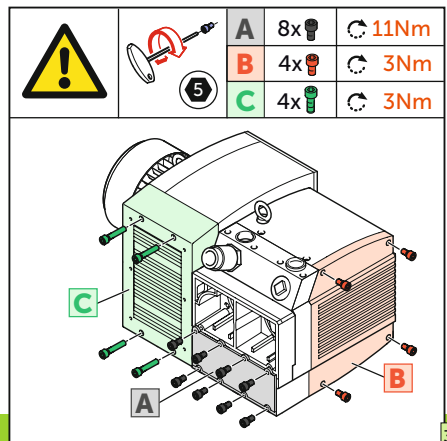
27



28



29



30



www.becker-international.com

31



WWW.BECKER-INTERNATIONAL-SHOP.COM

Gebr. Becker GmbH
Hoelker Feld 29-31
42279 WUPPERTAL
GERMANY
info@becker-international.com
www.becker-international.com





MAKE IT BECKER.

2810.0021301 | 2021-12-14 | All rights reserved