

BETRIEBSANLEITUNG
OPERATING INSTRUCTIONS
INSTRUCTIONS DE SERVICE
ISTRUZIONI D'USO
HANDLEIDING
INSTRUCCIONES PARA EL MANEJO
MANUAL DE INSTRUÇÕES
NAUDOJIMOSI INSTRUKCIJA
KASUTUSJUHEND
LIETOŠANAS INSTRUKCIJA
DRIFTSINSTRUKS
DRIFTSINSTRUKTIONER
DRIFTSVEJLEDNING
INSTRUKCJA OBSŁUGI

KEZELÉSI ÚTMUTATÓ
NÁVOD K OBSLUZE
NAVODILO ZA UPORABO
NÁVOD NA OBSLUHU
UPUTE ZA RAD
MANUAL DE OPERATII
TREORACHA OIBRIÚCHÁIN
ΟΔΗΓΙΕΣ ΧΡΗΣΗΣ
EL KITABI
ИНСТРУКЦИИ ЗА ЕКСПЛОАТАЦИЯ
ИНСТРУКЦИЯ ПО ЕКСПЛОАТАЦИИ
取扱説明書
사용설명서
使用说明书

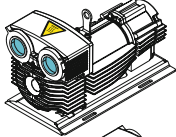
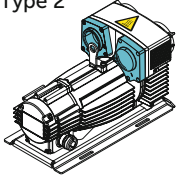
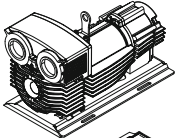
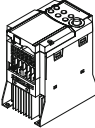


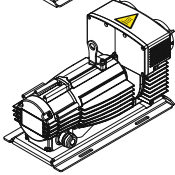
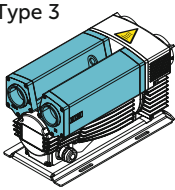
VASF 2.80/1-0.AC230 BASIC


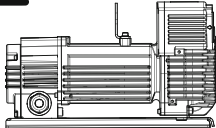

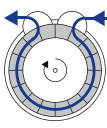
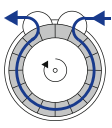



MAKE IT BECKER.

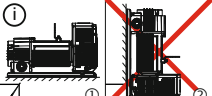

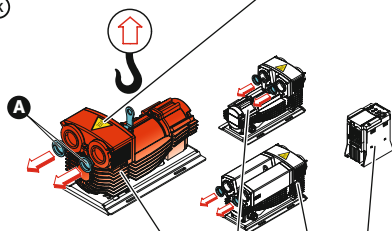









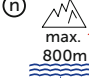


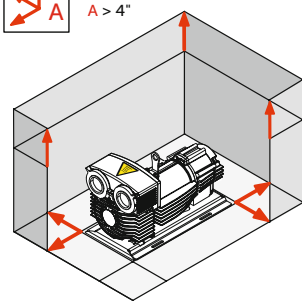
VARIAIR
SPEED FLOW

 **BECKER**

| | | |
|--|--|--|
| <p>Basic (Type 1)</p>  | <p>Type 2</p>  |  <p>VASF 2.80/1-0.AC230</p>  <p>Fuji FRENIC-Mini</p>  <p>Line filter</p>  <p>2x Snap ferrite</p> |
|  | <p>Type 3</p>  | |

| | | |
|--|---|---|
|   <p>a</p> |  <p>c</p> | <p>a The pump is used for generating vacuum or pressure. Cette pompe sert à générer du vide ou de la pression.</p> <p>b Operation is exclusively intended for normal atmospheric air. L'utilisation est prévue uniquement pour de l'air atmosphérique normal.</p> <p>c Store in a dry place. Protect against splash water. À remiser dans un endroit sec. À protéger contre les éclaboussures d'eau.</p> <p>d The pump operates oil-free. La pompe fonctionne sans huile.</p> <p>e A feeding of fluids, toxic, flammable or explosive media is not permitted. Il est interdit d'alimenter la machine avec des liquides toxiques, inflammables ou explosifs.</p> |
|  <p><input checked="" type="checkbox"/> AIR</p> |  <p>e</p>  <p>f</p>  <p>g</p>  <p>h</p> | |

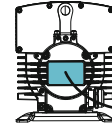



| | | | | | | | |
|--|--|--|-------------------------------------|-------------------------------------|-------------------|--|--|
|  <p>i</p> <p>j</p> |  <p>j</p> | <p>i Mounting position - permitted only horizontally Position de montage - uniquement à l'horizontale</p> <p>j Some parts can get hot. Do not touch! Quelques pièces peuvent devenir brûlantes. Ne pas toucher la machine!</p> <p>k Transport - Use the eyelet! Transport - Utilisez l'œillet!</p> | | | | | |
|  <p>k</p> <p>A</p> | <p>A Remove protective caps Retirer les capuchons de protection</p> <p>Caution</p>   <p>Risk by suction and rotating parts! Do not reach into the openings. Risque par aspiration et pièces en rotation! Ne pas mettre les mains dans les ouvertures.</p> | | | | | | |
| <table border="1"> <tr> <td></td> <td>Type 1 8.6 kg 19.0 lbs</td> <td>Type 2 9.0 kg 19.8 lbs</td> <td>Type 3 9.8 kg 21.6 lbs</td> <td>0.9 kg 2.0 lbs</td> </tr> </table> |  | Type 1 8.6 kg 19.0 lbs | Type 2 9.0 kg 19.8 lbs | Type 3 9.8 kg 21.6 lbs | 0.9 kg 2.0 lbs | | |
|  | Type 1 8.6 kg 19.0 lbs | Type 2 9.0 kg 19.8 lbs | Type 3 9.8 kg 21.6 lbs | 0.9 kg 2.0 lbs | | | |


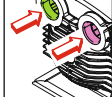


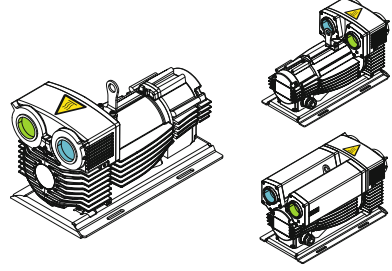
| | |
|--|--|
|  45°C/113°F 0°C/32°F |  INLET GAS 45°C/113°F 0°C/32°F |
|  max. 800m |  A > 100mm A > 4" |
|  max. 90% |  |






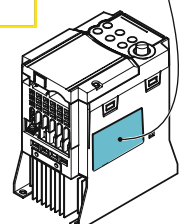
⚠ Caution

To reduce the risk of electric shock or injury use indoors only
Pour réduire le risque de choc électrique ou de blessure, utiliser à l'intérieur seulement

- Ⓘ Ambient temperature: 0-45°C / 32-113°F
Température ambiante : 0-45 °C/32-113 °F
- Ⓜ Air/Inert gas temperature: 0-45°C / 32-113°F
Température de l'air/gaz inerte : 0-45 °C/32-113 °F
- Ⓝ The characteristics depend on the installation site and are valid up to an elevation of 800 meters above sea level.
Les caractéristiques dépendent du site d'installation et sont valides jusqu'à une altitude de 800 mètres au-dessus du niveau de la mer.
- Ⓞ Humidity: maximum 90%, non-condensing
Taux d'humidité : 90 % maximum, non condensée
- Ⓟ Clearance should be no less than 100mm / 4" to ensure sufficient air flow for cooling.
La distance ne devrait pas être inférieure à 100mm/ 4" afin d'assurer un débit d'air suffisant pour le refroidissement.

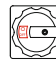
| | | | | | | | | | | | | | | | | | | | | | | | | | | | | | | | |
|---|--|---|------|--|-------------------|-----|--|---------------------------|--|--|------|------------------|--|----------------|---------|--|----------------|-------------------------|------|-----------------|------|-------------------|-------------------------|---|--|---------|---|--|-----------------------|--------|--|
|  | <table border="1"> <tr> <td></td> <td>year</td> <td></td> </tr> <tr> <td>D-42719 Wuppertal</td> <td>No.</td> <td></td> </tr> <tr> <td>www.becker-electronic.com</td> <td></td> <td></td> </tr> <tr> <td>type</td> <td>min¹</td> <td></td> </tr> <tr> <td>power required</td> <td>kW / hp</td> <td></td> </tr> <tr> <td>inlet capacity</td> <td>m³/h / cfm</td> <td>mbar</td> </tr> <tr> <td>pressure/vacuum</td> <td>mbar</td> <td>m³/h</td> </tr> <tr> <td>current I_{FA}</td> <td>A</td> <td></td> </tr> <tr> <td>voltage</td> <td>V</td> <td></td> </tr> <tr> <td>protection fuse / SCR</td> <td>A / kA</td> <td></td> </tr> </table> |  | year | | D-42719 Wuppertal | No. | | www.becker-electronic.com | | | type | min ¹ | | power required | kW / hp | | inlet capacity | m ³ /h / cfm | mbar | pressure/vacuum | mbar | m ³ /h | current I _{FA} | A | | voltage | V | | protection fuse / SCR | A / kA | |
|  | year | | | | | | | | | | | | | | | | | | | | | | | | | | | | | | |
| D-42719 Wuppertal | No. | | | | | | | | | | | | | | | | | | | | | | | | | | | | | | |
| www.becker-electronic.com | | | | | | | | | | | | | | | | | | | | | | | | | | | | | | | |
| type | min ¹ | | | | | | | | | | | | | | | | | | | | | | | | | | | | | | |
| power required | kW / hp | | | | | | | | | | | | | | | | | | | | | | | | | | | | | | |
| inlet capacity | m ³ /h / cfm | mbar | | | | | | | | | | | | | | | | | | | | | | | | | | | | | |
| pressure/vacuum | mbar | m ³ /h | | | | | | | | | | | | | | | | | | | | | | | | | | | | | |
| current I _{FA} | A | | | | | | | | | | | | | | | | | | | | | | | | | | | | | | |
| voltage | V | | | | | | | | | | | | | | | | | | | | | | | | | | | | | | |
| protection fuse / SCR | A / kA | | | | | | | | | | | | | | | | | | | | | | | | | | | | | | |
| DIN EN ISO 11203 Accuracy Class 2 K _{PA} = 3 dB(A) l ← 1m | <p>MAX. Sound level Niveau sonore</p> <p>L_{pA} = 85.0 dB(A) - Type 1+2 *</p> <p>L_{pA} = 65.0 dB(A) - Type 3 **</p> <p>* consumer side piped, other side open (without silencer) côté consommateur connecté, l'autre côté ouvert</p> <p>**both sides piped (with silencer) deux côtés ouverts</p> | | | | | | | | | | | | | | | | | | | | | | | | | | | | | | |


| | | | |
|--|---|--|--|
|  Ø 1/4" |  |  -p |  +p |
| | | VACUUM | PRESSURE |
|  | | | |


| | | | | | | | | | | |
|---|---|--|---------------|---|------|--------|--------|-----------|--------|--|
|  |  | <table border="1"> <tr> <td>Fuji Electric</td> <td></td> </tr> <tr> <td>TYPE</td> <td>Ampere</td> </tr> <tr> <td>SOURCE</td> <td>Volt, ...</td> </tr> <tr> <td>OUTPUT</td> <td></td> </tr> </table> | Fuji Electric |  | TYPE | Ampere | SOURCE | Volt, ... | OUTPUT | |
| Fuji Electric |  | | | | | | | | | |
| TYPE | Ampere | | | | | | | | | |
| SOURCE | Volt, ... | | | | | | | | | |
| OUTPUT | | | | | | | | | | |
|  | | | | | | | | | | |

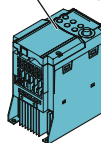
⚠ WARNING

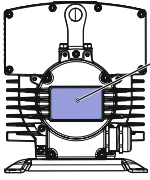
Electrical connection only by professional electrician!
Le raccordement électrique ne doit être effectué que par un électricien professionnel !

 Install a main switch according to UL489.
Installer un interrupteur principal conformément à la directive UL489.

 For details, refer to the inverter manual
Pour plus d'informations, reportez-vous au manuel du convertisseur







BECKER
 CE
 Ampere
 Volt, ...

Technical data Données techniques

Voltage Tension: 1~200VAC -10% ... 230VAC +10%
 Current FLA Courant: 4.8A
 Power required
 Puissance requise: 0.65/0.87kW/hp
 Frequency Fréquence: 50/60Hz (input)
 Protection fuse
 Fusible de prot.: 10A
 SCCR: 100kA
 Type Rating
 Classification: NEMA 12

10

| PTC | | MOTOR | | | Terminal | Line labeling | Current feedthrough |
|--------------------------------------|----|-------|---|---|----------|---------------|---------------------|
| T1 | T2 | U | V | W | | | |
| | | | | | U | U/L1/D/L+ | U |
| | | | | | V | V/L2 | V |
| | | | | | W | W/L3/D/L- | W |
| | | | | | C1 | ■ (blue) | T1 |
| | | | | | 11 | □ (white) | T2 |
| * Connection required for release ⚠️ | | | | | | | |

11

Terminal Block Connections:

- Line Filter: L1/L, L2/N, P1, P(+), P(-), DB, U, V, W
- Motor: U, V, W
- PTC: C1, 11
- VASF 2.80/1-0.AC230 BASIC I 4: Y1, Y1E, FMA, C1, PLC, X1, X2, X3, 11, 12, 13, CM, FWD, REV, CM

Resistor: 1kOhm, C1

Heat shrink tube: Tube thermocontractible

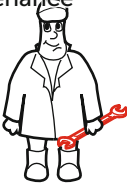




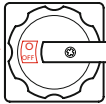


FE: 2x (for line filter), 1x (for PTC)

PE: Ground connection


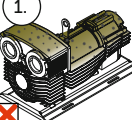
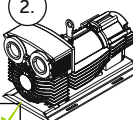
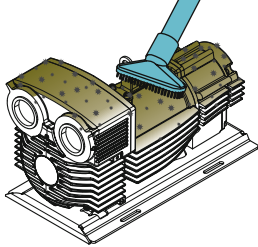
PTC: PTC

VASF 2.80/1-0.AC230 BASIC I 4: T1, T2, U, V, W

12

| | | |
|---|---|---|
| <p>Maintenance</p>  |   | <p>⚠ Caution</p> <p>Before commencing maintenance, follow lock out procedure to avoid unintentional restarting.</p> <p>Some parts may be hot.</p> <p>Do not touch / let it cool down!</p> <p>Avant la maintenance, suivez la procédure pour éviter le redémarrage involontaire.</p> <p>Certaines parties peuvent être chaudes.</p> <p>Ne pas toucher / Tout d'abord, laisser refroidir</p> |
|    |   | |

13

| | | | |
|--|---|---|--|
|  <p>min. 2x/a</p> | <p>1.</p>  | <p>2.</p>  | <p>Depending on the dust load (at least twice a year), remove the dirt from the pump.</p> <p>En fonction de la charge de poussière (au moins deux fois par an), retirez la saleté de la pompe.</p> |
|  | | | |

14



WWW.BECKER-INTERNATIONAL-SHOP.COM

Gebr. Becker GmbH
 Hoelker Feld 29-31
 42279 WUPPERTAL
 GERMANY
info@becker-international.com
www.becker-international.com



BECKER



281000327701 2020-12-07 | All rights reserved

MAKE IT BECKER.